

RCMDVI101

1-Local/Remote Shared Access Single Port DVI KVM over IP Switch



The RCMDVI101 Single Port DVI KVM over IP Switch is an ATEN KVM over IP model exclusively designed for Product Line Application, which allows remote access of digital video, audio and virtual media via remote control of a PC or workstation to control local production line tool. The RCMDVI101 provides over-IP capability to the connected ATEN DVI KVM switch (e.g. 8-Port USB DVI / Audio KVM Switch - [CS1768](#)), ATEN KE Transmitter / Receiver (e.g. DVI-I Single / Dual Display KVM over IP Transmitter / Receiver - KE6900A / KE6940A), and / or LCD console (e.g. DVI LCD Console - [CL3800](#)).

The RCMDVI101 is integrated with exclusive RCM API having various functions for system integration and automation. The RCMDVI101 sports a FPGA graphics processor that offers great image and video quality to enhance OCR accuracy. Moreover, the RCMDVI101 further enhances its production line application capability by supporting Access Control Box, USB / RS-232 Touch Panel, OSD Title Bar Notification, Multi-view, Local console priority and RS-232 mouse.

With [RCMMS](#), the RCMDVI101 offers Panel Array feature to monitor all machines and offers advanced and exclusive RCM and OCR API integrated functions for easy management. Furthermore, for security, the RCMDVI101 can pair with the optional [2XRT-0015G](#) KVM over IP Access Control Box to locally enable or disable remote control privilege.

For user-friendly operation, a mini USB port on the front panel is designed as a Laptop USB Console (LUC) port. Users just simply connect a laptop to the LUC port, and can access any computer connected to the switch for easy on-site management. That means no additional monitor, keyboard and mouse is required locally for routine maintenance. Additionally, the RCMDVI101's Virtual Media function allows a user to perform diagnostic testing, file transfers, or apply OS/applications updates and patches from a remote console.

To ensure seamless connectivity, the RCMDVI101 is equipped with dual LAN and dual power functionality to keep operation in the server room smooth and efficient. The RCMDVI101 also supports microphone and speakers on the local and remote console.

Integrating all these advanced functionalities, the RCMDVI101 provides a complete system management across different facilities and reduces number of operators to minimize space requirements and maximizes personnel efficiency. With its over-IP access eliminating the need to physically move legacy KVM solution to each malfunctioning unit, providing users the ability to capture the device display screen data as data collection for direct OCR analysis, and using APIs for software integration applications, it is an outstanding solution for high-tech production lines requiring durable and reliable over-IP server management.

Features

• Exclusive RCM functionalities

- Supports ATEN Access Control Box for on-site enabling / disabling of remote control privilege
- Supports customizable API Panel Array by system integrators to monitor all machines for operators
- Supports exclusive integrated RCM OCR API with various function for system integrators
- OSD title bar notification – instantly notifies users if any urgent event occurs
- Multi-view – allows viewing of multiple machines simultaneously on one screen
- Local console priority – gives the local console the priority over remote consoles to access the connected server

• Hardware

- Compact and slim design for space utility optimization
- Provides an FPGA graphics processor for better image quality
- Complies to the RS-232 DTE / DCE standards for serial control
- Provides over-IP capability to DVI KVM switches that do not have built-in over-IP functionality ¹
- Local console provides USB keyboard and mouse support ²
- A mini USB port on the front panel serves as a Laptop USB Console (LUC) port
- Two 10 / 100 / 1000 Mbps NICs for redundant LAN or two IP operation
- Dual power supply to ensure seamless connectivity
- Supports multiplatform server environments: Windows, Mac, Sun, Linux and VT100 based serial devices
- Virtual Media support ³
- High video resolution – up to 1920 x 1200 @ 60Hz for both local and remote consoles
- Audio support – microphone and speakers are supported on the local and remote console

Note:

1. Compatible KVM Switch: ATEN DVI Single Link KVM Switches
2. Since there are a large number of keyboards / mouses with functions specifically designed for OS other than Windows, they may not be adapted and may have compatibility issue.
3. Some of the RCMDVI101's features may not be supported, depending on the functionality of the cascaded KVM switch. (For example, some switches do not support virtual media.)

• Management

- Up to 64 user accounts – up to 32 users can simultaneously share control
Note: As more users connect to the device, the bandwidth allocated to each user decreases.
- Console access right management
- End session feature – administrators can terminate running sessions
- Event logging and Windows-based Log Server support
- Event Logging – the RCMDVI101 can record all events and write them to a searchable database
- Supports instant notification of critical system events via email, SNMP trap and Syslog
- Firmware upgradable via remote access
- Access the RCMDVI101 via a built-in serial viewer, or via third-party software (such as PuTTY) for Telnet and SSH sessions
- Out of Band support – access the RCMDVI101 through its serial port using a dial-up connection
- Port Share Mode allows multiple users to gain access to a server simultaneously
- Local/Remote Share Mode conveniently grants shared or exclusive console privilege
- Integration with ATEN [CCVSR](#) Video Session Recording Software
- Supports ATEN KVM over IP Console Station ([KA8270](#) / [KA8280](#) / [KA8278](#) / [KA8288](#))
- DDNS – allows mapping of a dynamic IP address assigned by a DHCP server to a host name
- Supports export / import of user account and configuration settings
- Browser Access Permission – extra security feature to allow / disallow browser / http / https access
- Supports IPv6

• Easy-to-Use Interface

- Browser-based and AP GUIs offer a unified multilanguage interface to minimize user training time and increase productivity
- Multiplatform client support (Windows, Mac OS X, Linux, Sun)
- Multibrowser support (IE, Chrome, Firefox, Safari, Opera, Netscape)
- Browser-based UI in pure Web technology allows administrators to perform administrative tasks without pre-installed Java software package requirements
- Full-screen or sizable and scalable Virtual Remote Desktop
- Magic Panel with configurable function for quick launch

• Advanced Security

- External authentication support: RADIUS, LDAP, LDAPS and MS Active Directory
- Supports TLS 1.2 data encryption and RSA 2048-bit certificates to secure users logging in from browsers
- Flexible design allows users to choose any combination of encryption algorithms (e.g. 256-bit AES) or system-generated random selection for independent keyboard / mouse, video, and virtual media data encryption
- Supports IP / MAC Filter
- Supports password protection
- Private CA

• Virtual Media

- Virtual media enables file applications, OS patching, software installation and diagnostic testing
- Works with USB-enabled servers at OS and BIOS level
- Supports USB 1.1 and USB 2.0 DVD / CD drives, USB mass storage devices, PC hard drives, folders and ISO images

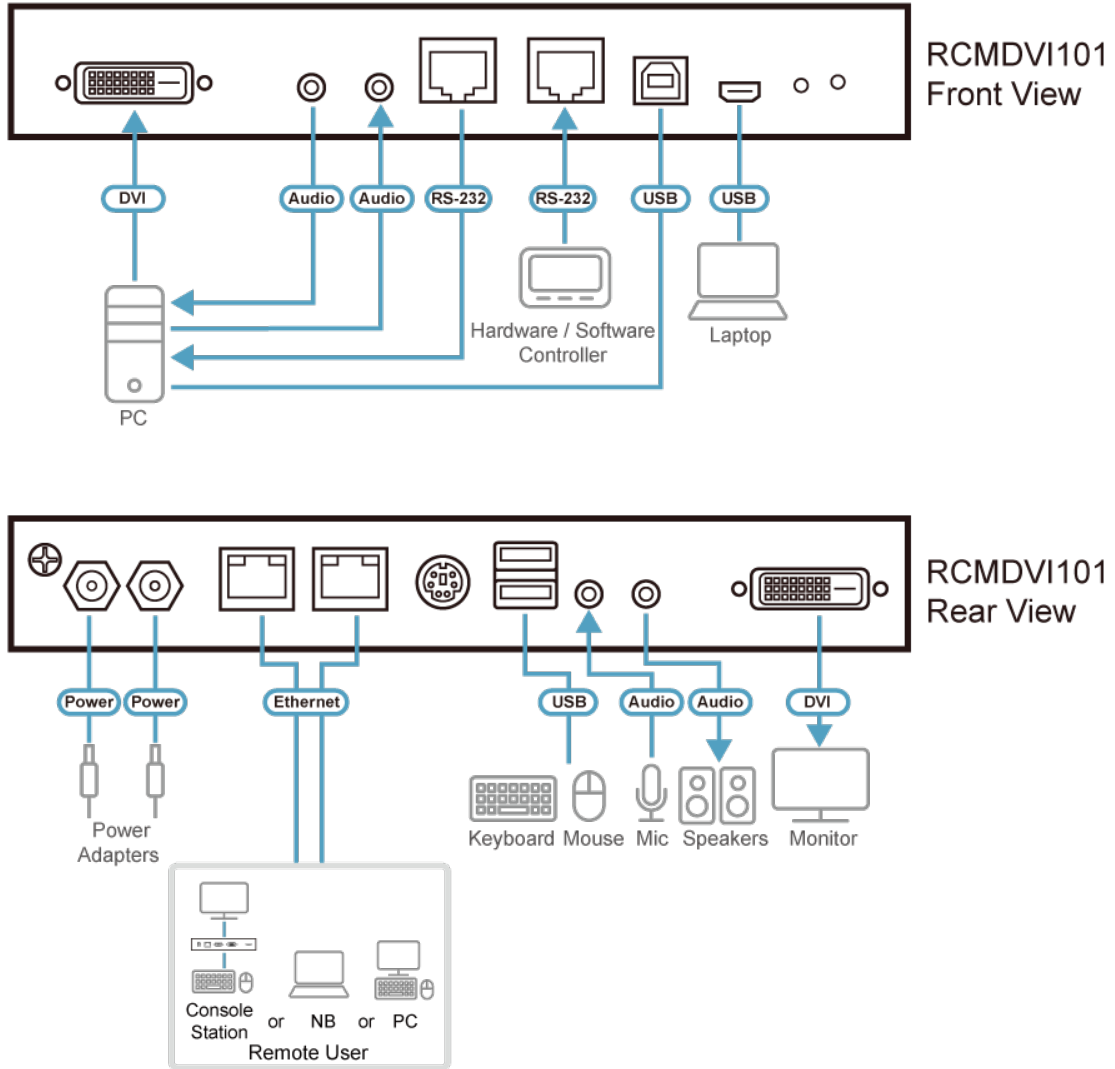
• Virtual Remote Desktop

- Video quality can be adjusted to optimize data transfer speed; monochrome color depth, threshold and noise settings can be adjusted for compression of the data bandwidth in low bandwidth situations
- Full-screen video display or scalable video display
- Message Board for communication among remote users
- On-screen keyboard with multilanguage support
- Mouse DynaSync™ – automatically synchronizes the local and remote mouse movements
- Supports Exit Macros
- BIOS-level access

Specifications

Connectors	
Console Ports	2 x USB Type A Female (White) 1 x DVI-D Female (White) 1 x Mini Stereo Jack Female (Green) 1 x Mini Stereo Jack Female (Pink)
KVM Ports	1 x USB Type B Female (White) 1 x DVI-D Female (White) 1 x Mini Stereo Jack Female (Green) 1 x Mini Stereo Jack Female (Pink)
LAN Ports	2 x RJ-45 Female
Virtual Media	1 x USB Mini-B Female
Power	2 x DC Jack
Serial	2 x RJ-45 Female
Control	1x PS/2 Female
Switches	
Reset	1 x Semi-recessed pushbutton (Black)
Emulation	
Keyboard / Mouse	USB
LEDs	
Power	1 (Green)
Video	Local console - 1920 x 1200 @ 60 Hz Remote - 1920 x 1200 @ 60 Hz
Power Consumption	DC5V:5.55W:30BTU/h Note: ● The measurement in Watts indicates the typical power consumption of the device with no external loading. ● The measurement in BTU/h indicates the power consumption of the device when it is fully loaded.
Environmental	
Operating Temperature	0 - 50°C 0 - 40°C (Power Adapter)
Storage Temperature	-20 - 60°C
Humidity	0 - 80% RH, Non-condensing
Physical Properties	
Housing	Metal
Weight	0.84 kg (1.85 lb)
Dimensions (L x W x H)	20.00 x 15.49 x 2.85 cm (7.87 x 6.1 x 1.12 in.)
Note	For some of rack mount products, please note that the standard physical dimensions of WxDxH are expressed using a LxWxH format.

Diagram



ATEN International Co., Ltd.

3F., No.125, Sec. 2, Datong Rd., Sijhih District., New Taipei City 221, Taiwan
 Phone: 886-2-8692-6789 Fax: 886-2-8692-6767
 www.aten.com E-mail: marketing@aten.com



© Copyright 2015 ATEN® International Co., Ltd.
 ATEN and the ATEN logo are trademarks of ATEN International Co., Ltd.
 All rights reserved. All other trademarks are the property of their respective owners.