

KN1000A

Single Port KVM over IP Switch with Single Port Power Switch



ATEN's new KN1000A Single Port KVM over IP Switch provides access and control "over-IP" for conventional KVM switches and servers that do not have built-in over-IP functionality. It allows system operators to monitor and access computers from remote locations for "down to the BIOS-level" troubleshooting, using standard Web browsers or Windows and Java based application programs, without the need to be on site for constant IT maintenance. In addition, the KN1000A supports out-of-band access in case the LAN goes down, with external modem support as backup.

[ENQUIRE A TEST NOW!](#)

To help you manage and control widely distributed servers efficiently from a remote console, a built-in single-port power switch provides remote power management of a server connected locally, allowing you to turn a server On or Off, and reboot it. In addition, you can add an ATEN PDU unit to manage the power status of even more devices. The KN1000A also provides serial console management over the Internet which can remotely control serial console devices such as network switches.

The KN1000A makes it easy to work on many tasks simultaneously, featuring a unique LUC (Laptop USB Console) port for quick KVM access via a laptop, user-friendly OSD, virtual media functionality without additional cables, and video resolutions up to 1920 x 1200.

The KN1000A's Virtual Media function allows you to perform file transfers, system diagnostic testing, software patches and application installations, all from the remote console. There is no need to physically mount an optical drive directly at the server to perform data related tasks. Now you can conveniently troubleshoot and resolve OS and BIOS-level problems from any remote location.

A Windows Client and a Java Client are available for remote access. They allow IP connection and login from anywhere over the internet. In addition, ATEN also provides an iOS APP - PadClient, whose intuitive interface makes it easy to connect to the KVM over IP switch and control computers direct from your iPad. Please visit the [PadClient webpage](#) for more information.

In addition, the KN1000A is compatible with ATEN's KVM over IP Console Station, the KA82 series. The KA82 series is a hardware-based, standalone console solution that can centrally manage multiple KN devices. It is especially suitable for environments where a PC is not allowed (refer to ATEN's website to get more information on the KVM over IP Console Station).

With these advanced features, the KN1000A is the fastest, most reliable and cost effective solution to remotely access and manage widely distributed multi-server installations, such as for kiosks and automated banking machines.

Features

• Hardware

- Provides over-IP capability to servers or KVM switches that do not have built-in over-IP functionality ¹
 - Built-in single port Power Switch
 - Supports PS/2, USB, Sun Legacy (13W3) and serial (RS-232) connectivity
 - Local console provides PS/2 and USB keyboard and mouse support
 - Supports multiplatform server environments: Windows, Mac, Sun, Linux and VT100 based serial devices
 - High video resolution – up to 1920 x 1200 @ 60 Hz with 24 bit color depth for the local console; up to 1920 x 1200 @ 60 Hz with 24 bit color depth for remote sessions
- Note: 1. For a list of compatible products, refer to the list at the bottom of this page.

• Management

- Up to 64 user accounts
- Up to 32 concurrent logins
- End session feature – administrators can terminate running sessions
- Event logging and Windows-based Log Server support
- Critical system event notification via SMTP email; SNMP trap and Syslog support
- Remote firmware upgradable
- Serial console management – serial terminal access. Access the device connected to KN1000A via a built-in serial viewer, or via third party software (such as PuTTY) for Telnet and SSH sessions
- PPP mode (modem) dial-in / dial out support for out-of-band, and low bandwidth operation
- Port Share Mode allows multiple users to gain access to a server simultaneously
- Integration with ATEN [CC2000](#) Centralized Management Software
- Integration with ATEN PDU for remote power control
- Remote power on and off control function with Wake on LAN
- On / Off scheduling for power outlet. Power management tasks can be scheduled on a daily, weekly, monthly or user specified time basis
- Safe shutdown support
- Auto-Ping pings a device to determine its status, if the ping test fails after a set amount of time – it automatically takes an action assigned
- DDNS (Dynamic Domain Name System)
- Export / import user account and configuration settings
- Manage browser access methods (disable browser, http, or https)

• Easy-to-Use Interface

- Browser-based and AP GUIs offer a unified multilanguage interface to minimize user training time and increase productivity
- Multi-platform client support (Windows, Mac OS X, Linux, Sun)
- Multi-browser support: Internet Explorer, Chrome, Firefox, Safari, Opera, Netscape
- Browser-based UI in pure Web technology allows administrators to perform administrative tasks without pre-installed Java software package required
- Full-screen or sizable and scalable Virtual Remote Desktop window
- Magic Panel – a special hideaway control panel with configurable function icon

• Advanced Security

- Smart Card / CAC Reader Support
- External authentication support: RADIUS, LDAP, LDAPS, and MS Active Directory
- Supports TLS 1.2 data encryption and RSA 2048-bit certificates to secure users log in from browser
- Flexible encryption design allows users to choose any combination of DES, 3DES, AES, RC4, or Random for independent KB / Mouse, video, and virtual media data encryption
- IP / MAC Filter for enhanced security protection
- Supports password protection
- Private Certificate Authority

• Virtual Media

- Virtual media enables file applications, OS patching, software installation and diagnostic testing
- Works with USB enabled servers at the operating system and BIOS levels
- Supports USB 2.0 DVD / CD drives, USB mass storage devices, PC hard drives and ISO images

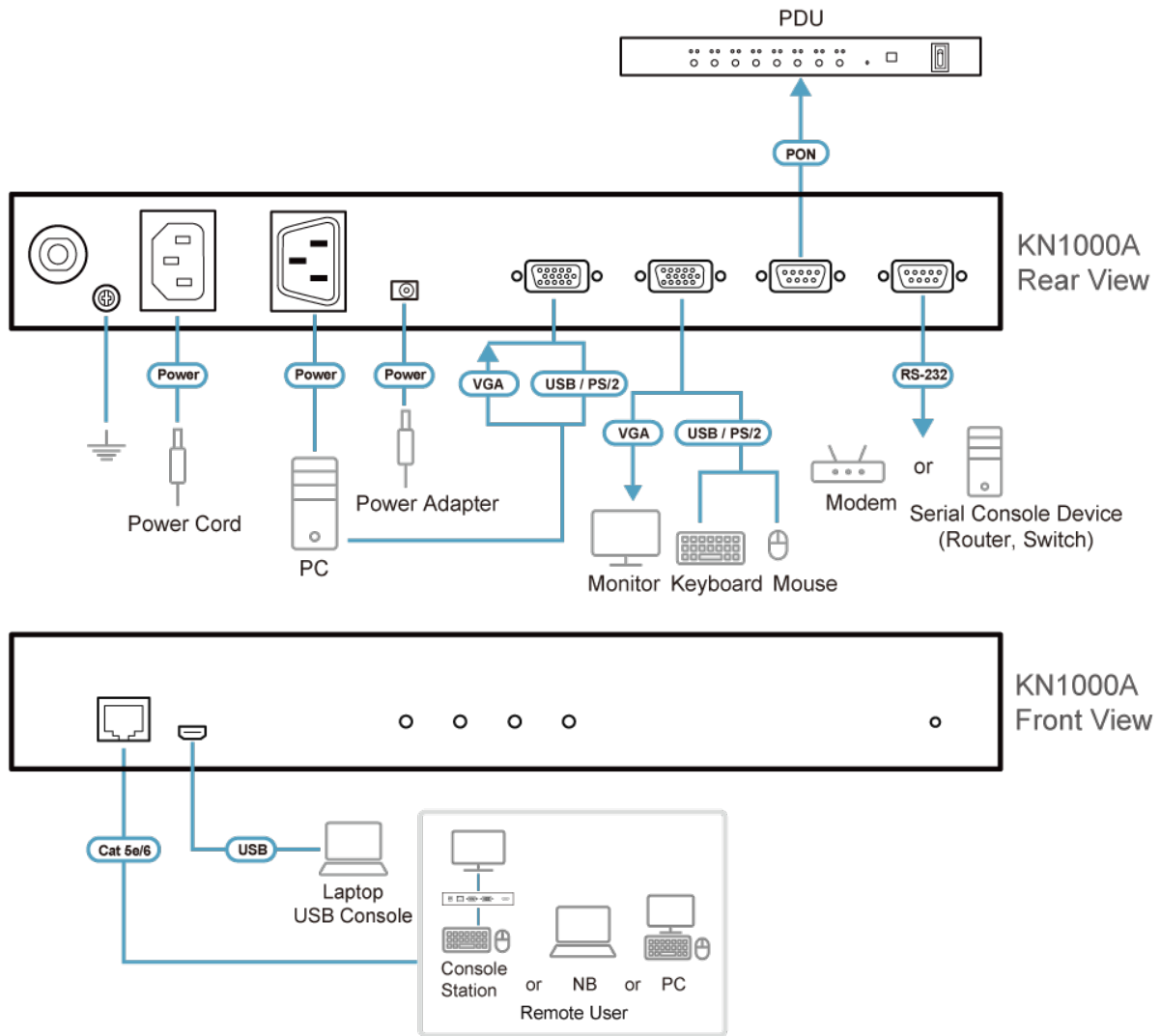
• Virtual Remote Desktop

- BIOS-level access
- Video quality and video tolerance can be adjusted to optimize data transfer speeds; monochrome color depth setting, threshold and noise settings for compression of the data bandwidth in low bandwidth situations
- Full screen video display or scalable video display
- Message Board for communication among remote users
- On-screen keyboard with multilanguage support
- Mouse Dynasync™
- Exit Macros support

Specifications

| | |
|-------------------------------|--|
| Connectors | |
| Console Ports | 1 x SPHD Male (Yellow) |
| KVM (Computer) Ports | 1 x SPHD Female (Yellow) |
| Laptop USB Console (LUC) Port | 1 x USB Mini-B Female |
| PON | 1 x DB-9 Male |
| RS-232 | 1 x DB-9 Male |
| LAN Ports | 1 x RJ-45 Female |
| Power Inlets | 1 x IEC60320/C14 |
| Power Outlets | 1 x IEC60320/C13 |
| Power | 1 x DC Jack |
| Switches | |
| Reset | 1 x Semi-recessed Pushbutton |
| LEDs | |
| Power | 1 (Orange) |
| Power Outlets | 1 (Orange) |
| Link | 1 (Green) |
| 10/100/1000 Mbps | 1 (Orange/ Orange+Green /Green) |
| Emulation | |
| Keyboard / Mouse | USB; PS/2 |
| Video | 1920 x 1200 @ 60 Hz; DDC2B |
| Maximum Input Power Rating | 100–240 V~; 50-60 Hz; 10A |
| Output | 100–240 V~; 50-60 Hz; 9A |
| Power Consumption | DC5.3V:4.48W:30BTU/h Note: <ul style="list-style-type: none"> ● The measurement in Watts indicates the typical power consumption of the device with no external loading. ● The measurement in BTU/h indicates the power consumption of the device when it is fully loaded. |
| Environmental | |
| Operating Temperature | 0-40°C |
| Storage Temperature | -20-60°C |
| Humidity | 0 - 80% RH, Non-condensing |
| Physical Properties | |
| Housing | Metal |
| Weight | 0.88 kg (1.94 lb) |
| Dimensions (L x W x H) | 31.00 x 8.39 x 4.20 cm (12.2 x 3.3 x 1.65 in.) |
| Note | For some of rack mount products, please note that the standard physical dimensions of WxDxH are expressed using a LxWxH format. |

Diagram



ATEN International Co., Ltd.

3F., No.125, Sec. 2, Datong Rd., Sijhih District., New Taipei City 221, Taiwan
 Phone: 886-2-8692-6789 Fax: 886-2-8692-6767
 www.aten.com E-mail: marketing@aten.com



© Copyright 2015 ATEN® International Co., Ltd.
 ATEN and the ATEN logo are trademarks of ATEN International Co., Ltd.
 All rights reserved. All other trademarks are the property of their respective owners.