

### UC232AF

USB to RS-232 Adapter (FTDI/1.2 m)



## FTDI-Powered USB-A to Serial Adapter

USB-A to RS-232 Adapter 1.2m UC232AF

|                                                                                              |                                                                                               |                                                                                                  |                                                                                                 |
|----------------------------------------------------------------------------------------------|-----------------------------------------------------------------------------------------------|--------------------------------------------------------------------------------------------------|-------------------------------------------------------------------------------------------------|
| <br>USB-A | <br>RS-232 | <br>FTDI Chip | <br>Anti-EMI |
|----------------------------------------------------------------------------------------------|-----------------------------------------------------------------------------------------------|--------------------------------------------------------------------------------------------------|-------------------------------------------------------------------------------------------------|

**New Upgrade USB-A to RS-232 Console Adapter**

Equipped with the FTDI chipset, the UC232AF features reliable data transmission at a high speed via plug-n-play connectivity.

**Multi-System Support**

The UC232AF is compatible with multiple operating systems, such as macOS, Linux, Windows 7/8/10, and legacy Windows Vista/XP versions as well.



Compatible with  
**Windows Vista, XP, 10, 8, 7 / macOS / Linux**

**Quick Signal Transmission**

**Shielded Ground Cable**

**Thick Power Cable**

**Flexible PVC Jacket**

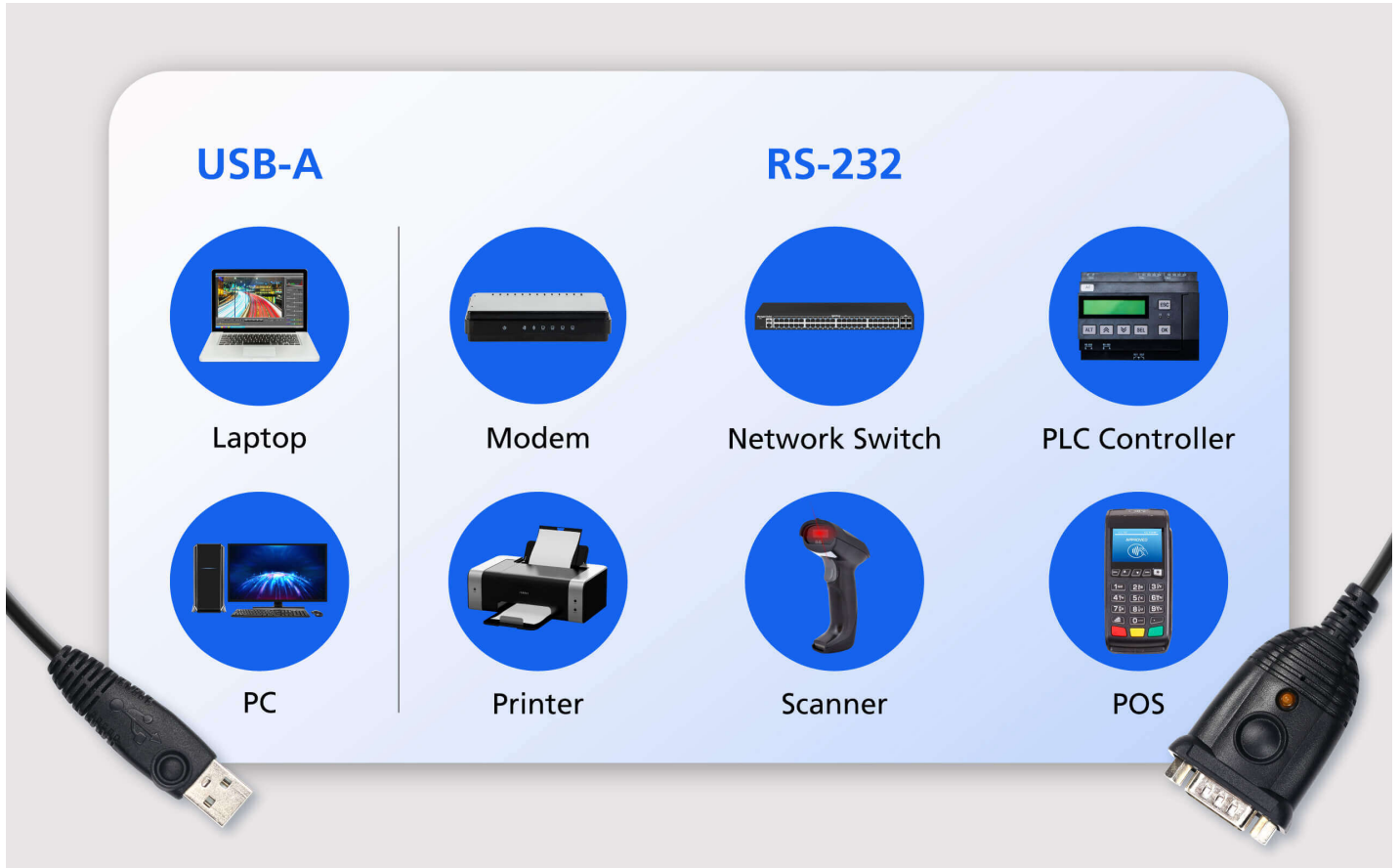
- Insulation
- Anti-EMI
- Flame Resistance
- Fast Transmission
- Reinforced Cable

**Stable Performance, Fast Transmission**

The UC232AF offers USB 2.0 connectivity and is equipped with a robust cable that ensures proven anti-EMI performance for reliable signal transmission at speeds of up to 921.6 Kbps baud rate.

**Broadly Compatible with Serial Devices**

The UC232AF allows your PC or laptop to control and communicate with various RS232 serial devices such as modem, network switch, PLC controller, printer, scanner, POS and so on.



**Applications**

- 1.
- 2.
- 3.
- 4.



Barcode Scanning



POS Terminal



PLC Programming



Medical / Scientific Instrument

[Previous](#) [Next](#)

**Product Comparison**

The UC232 lineup is well-suited for a variety of applications including industrial automation, IT networking, and control systems.

\*Notes: Models equipped with FTDI chip provide better signal transmission with legacy Windows OS.

**Talk to Our Experts**

If you prefer to have ATEN contact you, please complete the form and a representative will be in touch with you shortly

First Name \*

Last Name \*

- Country \*

Company \*

Email \*

Phone Number \*

- Customer Type \*

Job Title \*

**USB 2.0**

**RS-232  
Functionality**

**Bus-  
Powered**

**Easy  
Installation**

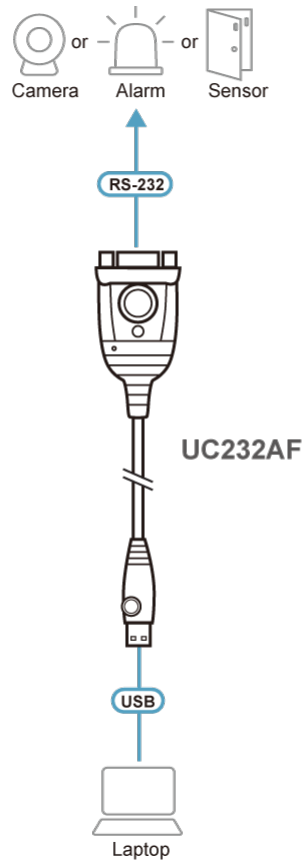
**Features**  
The UC232AF USB-to-RS232 serial port converter is an ideal accessory for laptops and desktop PCs without a COM or DB-9 serial port. Supporting both Windows and Mac operating systems with baud rates up to 921.6 Kbps for rapid performance, it offers a convenient connectivity solution for industrial automation systems, scientific instruments, point of sale systems, and any other specialized industrial and consumer applications.

- Supports RS-232 serial interface
- Adopts FTDI chip for enhanced device compatibility
- Proven performance in anti-electromagnetic interference (anti-EMI) capability for stable transmission performance
- Full compliance with USB specifications
- COM retention saves the assigned port settings for the device
- Up to 921.6 Kbps data transfer rate
- OS Compatibility: Windows, Mac, and Linux
- Works with cellular phones, PDAs, digital cameras, modems, and ISDN terminal adapters

Specifications

|                        |                                                                                                                                 |
|------------------------|---------------------------------------------------------------------------------------------------------------------------------|
| Connectors             |                                                                                                                                 |
| USB Port               | 1 x USB Type A Male                                                                                                             |
| Serial                 | 1 x DB-9 Male                                                                                                                   |
| Data Rate              | Up to 921.6 Kbps                                                                                                                |
| Cable Length           | 120cm                                                                                                                           |
| LEDs                   | Power (Orange)                                                                                                                  |
| Power Mode             | Bus Powered                                                                                                                     |
| USB Specification      | USB compliant                                                                                                                   |
| Environmental          |                                                                                                                                 |
| Operating Temperature  | 0-40°C                                                                                                                          |
| Storage Temperature    | -20-60°C                                                                                                                        |
| Humidity               | 0-80% RH, Non-condensing                                                                                                        |
| Physical Properties    |                                                                                                                                 |
| Housing                | Plastic                                                                                                                         |
| Weight                 | 0.06 kg ( 0.13 lb )                                                                                                             |
| Dimensions (L x W x H) | 6.59 x 3.40 x 1.60 cm<br>(2.59 x 1.34 x 0.63 in.)                                                                               |
| Note                   | For some of rack mount products, please note that the standard physical dimensions of WxDxH are expressed using a LxWxH format. |

Diagram



**ATEN International Co., Ltd.**

3F., No.125, Sec. 2, Datong Rd., Sijhih District., New Taipei City 221, Taiwan  
 Phone: 886-2-8692-6789 Fax: 886-2-8692-6767  
 www.aten.com E-mail: marketing@aten.com



© Copyright 2015 ATEN® International Co., Ltd.  
 ATEN and the ATEN logo are trademarks of ATEN International Co., Ltd.  
 All rights reserved. All other trademarks are the property of their respective owners.