

## VE802T

HDMI HDBaseT-Lite Transmitter with PoH (4K@40m) (HDBaseT Class B) (PoH PSE)



The VE802T HDMI HDBaseT-Lite Transmitter connects with HDBaseT receivers\* to extend signals up to 70m from the source using one Cat 5e/6/6a cable. It supports RS-232 and IR signaling pass-through, allowing you to control the HDMI source device from the remote unit ([VE802R](#)) while also granting access to the HDMI display device from the local unit (VE802T). IR signals can also be extended in both directions. The VE802T features Power over HDBaseT (PoH) which can send power over Cat 5e/6/6a cable without an additional power supply. The VE802T is HDMI (3D, Deep Color, 4k) and HDCP compatible. The VE802T is perfect for a digital entertainment center or any installation that requires superior video quality.

\* Compatible HDBaseT Receiver Units: [VE802R](#)



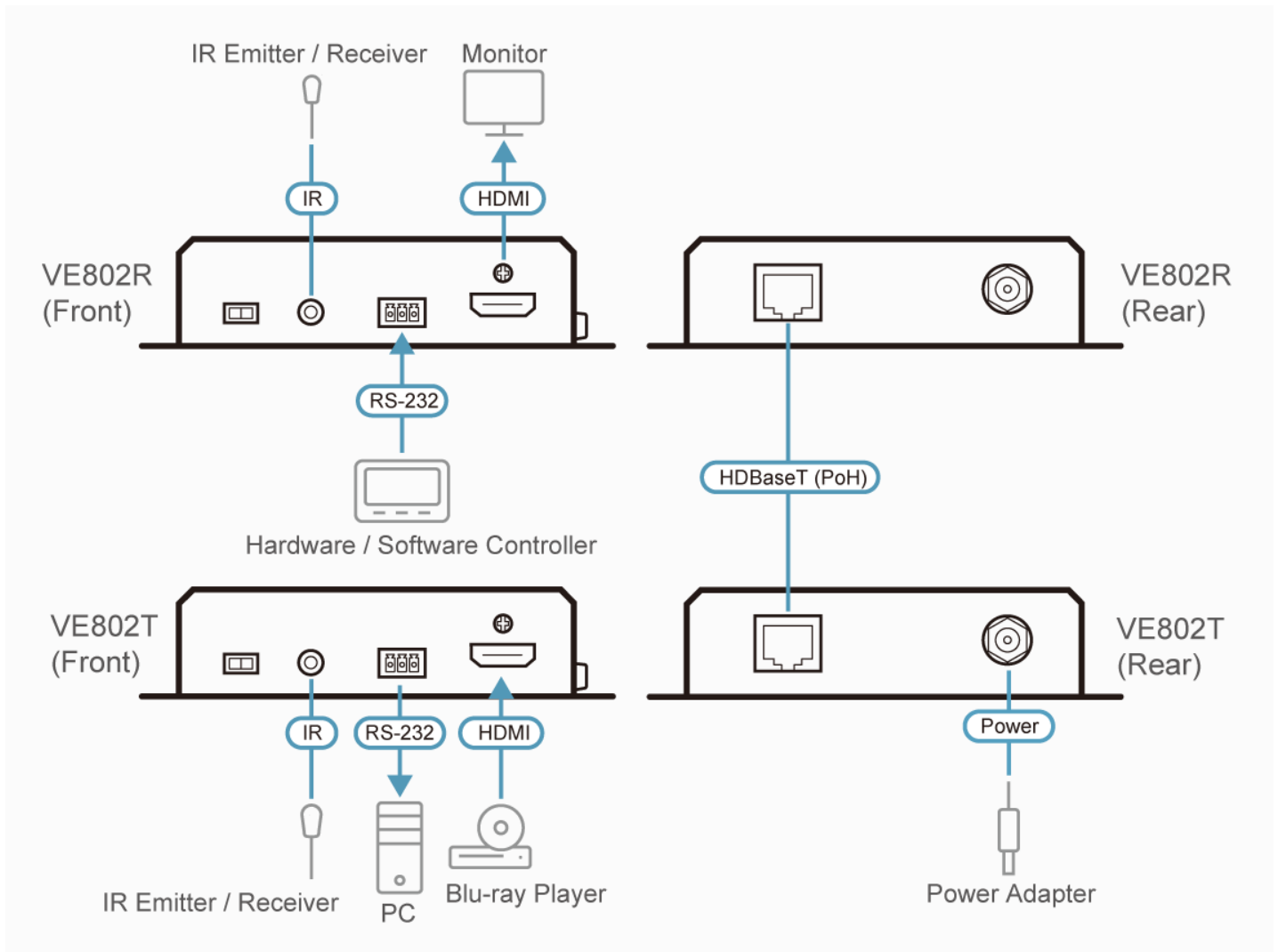
### Features

- HDBaseT Connectivity – extends an HDMI connection over a long distance via one Cat 5e/6/6a cable
- Superior video quality – up to 4K@35m (Cat 5e/6) / 40m (Cat 6a or ATEN [2L-2910](#) Cat 6 cable)
- HDBaseT Anti-jamming – resists signal interference during high-quality video transmission using HDBaseT technology
- PoH (Power over HDBaseT) – supplies power from Transmitter to Receiver over a long distance via one Cat 5e/6/6a cable
- Bi-directional RS-232 channel – allows you to connect to serial terminals or serial devices, such as touch screens and barcode scanners
- Bi-directional IR channel – IR transmission is processed one direction at a time
- Rack- Mountable

**Specification**

Video Input	
Interfaces	1 x HDMI Type A Female (Black)
Impedance	100Ω
Max. Distance	3 m
Video	
Max. Data Rate	10.2Gbps (3.4Gbps per lane)
Max. Pixel Clock	340 MHz
Compliance	HDMI (3D, Deep Color, 4K) HDCP2.2 Compatible Consumer Electronics Control (CEC)
Max. Resolutions / Distance	Up to 4K@35m (Cat 5e/6) / 40m (Cat 6a/ATEN 2L-2910 Cat6); 1080p@60m (Cat 5e/6) / 70m (Cat 6a/ATEN 2L-2910 Cat6) *4K supported: 4096 x 2160 / 3840 x 2160 @ 60Hz (4:2:0); 4096 x 2160 / 3840 x 2160 @ 30Hz (4:4:4)
Audio	
Input	1 x HDMI Type A Female (Black)
Control	
RS-232	Connector: 1 x Terminal Block, 3 pole Baud Rate: 19200, Data Bits:8, Stop Bits:1, no parity and flow control
IR	1 x Mini Stereo Jack Female (Black)
Connectors	
Power	1 x DC Jack (Black) with locking
Unit To Unit	1 x RJ-45 Female
Power Consumption	DC5V:2.7W:13BTU/h  Note: ● The measurement in Watts indicates the typical power consumption of the device with no external loading. ● The measurement in BTU/h indicates the power consumption of the device when it is fully loaded.
Environmental	
Operating Temperature	0 - 50°C
Storage Temperature	-20 - 60°C
Humidity	0 - 80% RH, Non-Condensing
Physical Properties	
Housing	Metal
Weight	0.44 kg ( 0.97 lb )
Dimensions (L x W x H) with bracket	14.04 x 12.30 x 3.00 cm (5.53 x 4.84 x 1.18 in.)
Dimensions (L x W x H) without bracket	13.60 x 10.10 x 2.90 cm (5.35 x 3.98 x 1.14 in.)

Diagram



**ATEN International Co., Ltd.**

3F., No.125, Sec. 2, Datong Rd., Sijhih District., New Taipei City 221, Taiwan  
 Phone: 886-2-8692-6789 Fax: 886-2-8692-6767  
 www.aten.com E-mail: marketing@aten.com



© Copyright 2015 ATEN® International Co., Ltd.  
 ATEN and the ATEN logo are trademarks of ATEN International Co., Ltd.  
 All rights reserved. All other trademarks are the property of their respective owners.