

UC232AF

USB to RS-232 Adapter (FTDI/1.2 m)



FTDI-Powered USB-A to Serial Adapter

USB-A to RS-232 Adapter 1.2m UC232AF

 USB-A	 RS-232	 FTDI Chip	 Anti-EMI
--	---	--	---

**New Upgrade USB-A to RS-232 Console Adapter**

Equipped with the FTDI chipset, the UC232AF features reliable data transmission at a high speed via plug-n-play connectivity.

Multi-System Support

The UC232AF is compatible with multiple operating systems, such as macOS, Linux, Windows 7/8/10, and legacy Windows Vista/XP versions as well.



Compatible with
Windows Vista, XP, 10, 8, 7 / macOS / Linux

Quick Signal Transmission

Shielded Ground Cable

Thick Power Cable

Flexible PVC Jacket

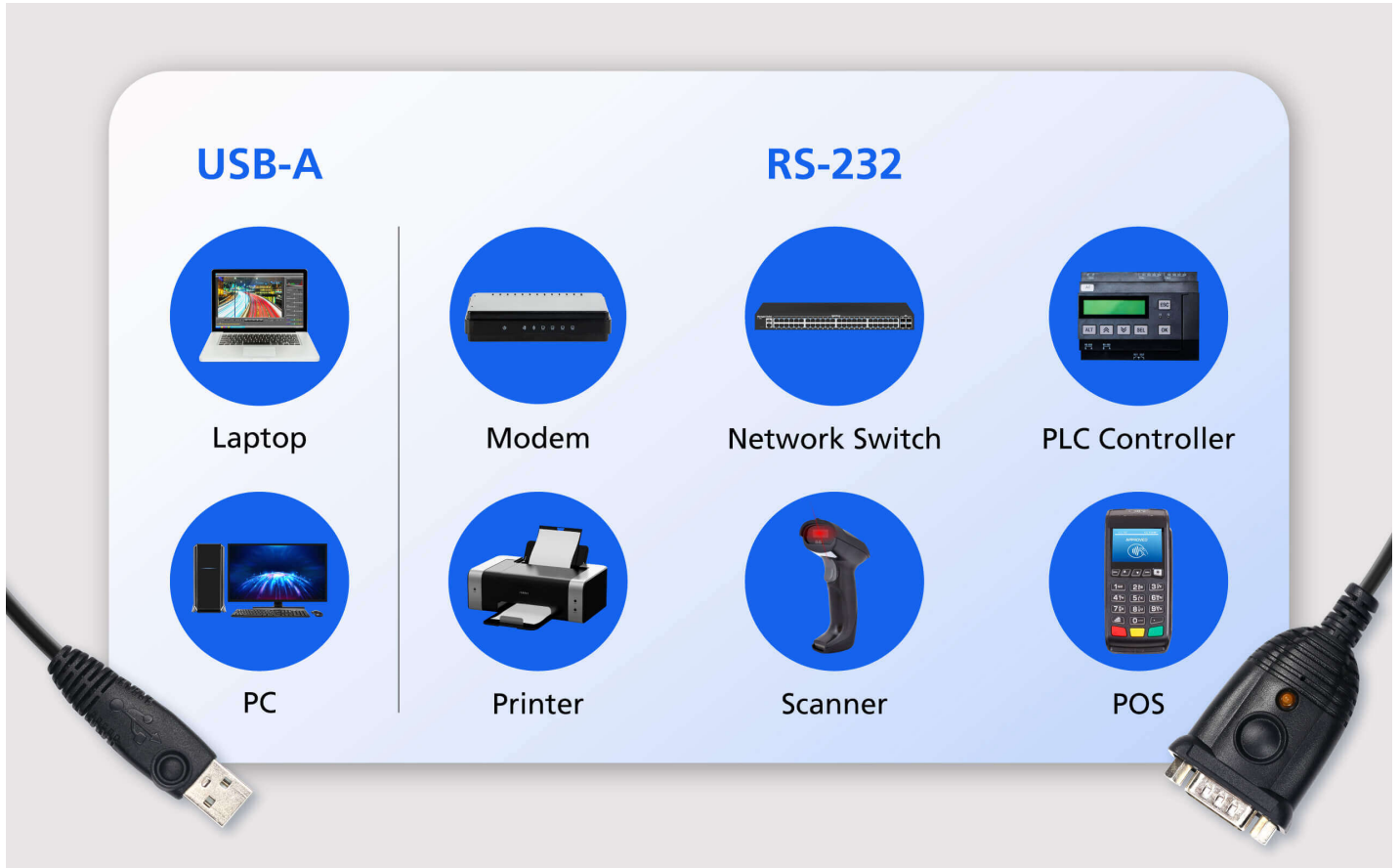
- Insulation
- Anti-EMI
- Flame Resistance
- Fast Transmission
- Reinforced Cable

Stable Performance, Fast Transmission

The UC232AF offers USB 2.0 connectivity and is equipped with a robust cable that ensures proven anti-EMI performance for reliable signal transmission at speeds of up to 921.6 Kbps baud rate.

Broadly Compatible with Serial Devices

The UC232AF allows your PC or laptop to control and communicate with various RS232 serial devices such as modem, network switch, PLC controller, printer, scanner, POS and so on.



Applications

- 1.
- 2.
- 3.
- 4.



Barcode Scanning



POS Terminal



PLC Programming



Medical / Scientific Instrument

[Previous](#) [Next](#)

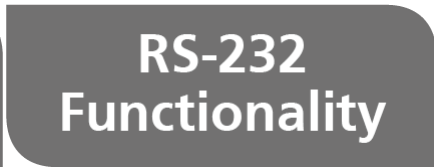
Product Comparison

The UC232 lineup is well-suited for a variety of applications including industrial automation, IT networking, and control systems.

*Notes: Models equipped with FTDI chip provide better signal transmission with legacy Windows OS.

Talk to Our Experts

If you prefer to have ATEN contact you, please complete the form and a representative will be in touch with you shortly



Features

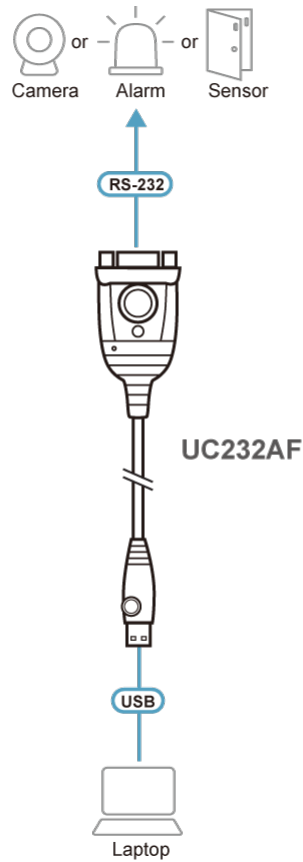
The UC232AF USB-to-RS232 serial port converter is an ideal accessory for laptops and desktop PCs without a COM or DB-9 serial port. Supporting both Windows and Mac operating systems with baud rates up to 921.6 Kbps for rapid performance, it offers a convenient connectivity solution for industrial automation systems, scientific instruments, point of sale systems, and any other specialized industrial and consumer applications.

- Supports RS-232 serial interface
- Adopts FTDI chip for enhanced device compatibility
- Proven performance in anti-electromagnetic interference (anti-EMI) capability for stable transmission performance
- Full compliance with USB specifications
- COM retention saves the assigned port settings for the device
- Up to 921.6 Kbps data transfer rate
- OS Compatibility: Windows, Mac, and Linux
- Works with cellular phones, PDAs, digital cameras, modems, and ISDN terminal adapters

Specifications

Connectors	
USB Port	1 x USB Type A Male
Serial	1 x DB-9 Male
Data Rate	Up to 921.6 Kbps
Cable Length	120cm
LEDs	Power (Orange)
Power Mode	Bus Powered
USB Specification	USB compliant
Power Consumption	DC5V:0.12W:1BTU/h Note: ● The measurement in Watts indicates the typical power consumption of the device with no external loading. ● The measurement in BTU/h indicates the power consumption of the device when it is fully loaded.
Environmental	
Operating Temperature	0-40°C
Storage Temperature	-20-60°C
Humidity	0-80% RH, Non-condensing
Physical Properties	
Housing	Plastic
Weight	0.06 kg (0.13 lb)
Dimensions (L x W x H)	6.59 x 3.40 x 1.60 cm (2.59 x 1.34 x 0.63 in.)
Note	For some of rack mount products, please note that the standard physical dimensions of WxDxH are expressed using a LxWxH format.

Diagram





Simply Better Connections

ATEN International Co., Ltd.

3F., No.125, Sec. 2, Datong Rd., Sijhih District., New Taipei City 221, Taiwan
Phone: 886-2-8692-6789 Fax: 886-2-8692-6767
www.aten.com E-mail: marketing@aten.com



© Copyright 2015 ATEN® International Co., Ltd.
ATEN and the ATEN logo are trademarks of ATEN International Co., Ltd.
All rights reserved. All other trademarks are the property of their
respective owners.