

KE6912R

2K DVI-D Dual Link KVM over IP Receiver with PoE



The [KE6912](#) 2K DVI-D Dual Link KVM over IP Extender consists of a high performance IP-based transmitter ([KE6912T](#)) that connects to the computer and receiver (KE6912R) that provides console access from a separate location. The [KE6912](#) allows access to a computer system from a remote USB console (USB keyboard, USB mouse, DVI monitor) over an intranet, enabling users to locate computers in a secure and temperature controlled environment, which is isolated from users' workstation.

The [KE6912](#) supports one DVI display at each end, providing video resolutions up to 2560 x 2048 @ 50 Hz and flawless and lossless video compression quality with zero latency. The extender also supports 2K x 2K video resolution (2048 x 2048 @ 60Hz), which is used widely in the Air Traffic Control (ATC) industry.

The [KE6912](#) supports connections via an RJ-45 port or a SFP slot. The transmitter and receiver can be connected either directly to each other or via a high-speed network, over a copper-based or fiber-based LAN, ensuring 24/7 availability of remote access to servers. To connect via the SFP slot, the extender supports 1Gbps SFP fiber module¹ expansions, enabling connections via fiber optic network to extend transmission distances up to 10km.

The [KE6912](#) features Power over Ethernet (PoE) function, the power can be supplied through a PoE Network Switch; therefore, eliminating the need for a power adapter and effectively reducing the power configuration cost.

The [KE6912](#) can be set on a desk, mounted on a wall or at the rear of a rack with its space-saving 0U rack-mount design. As an IP-based matrix extender, the [KE6912](#) can be used as a point-to-point / point-to-multipoint / multipoint-to-point extender, or integrated into a KVM over IP Matrix System (multipoint-to-multipoint) when combined with the [CCKM](#), providing more flexible applications in different working environments.

When integrated with the [CCKM](#), the [KE6912](#) supports more advanced features such as authentication lock, connection redundancy, disconnection alert, boundless switching, "Push" and "Pull", video wall and multi-display setups, and profile scheduling that provide uninterrupted access with quick and easy control tools to use the [KE6912](#) over a network.

More functions include auto detection of all KVM over IP extenders² in the same subnet for the sake of fast installation or configuration, username / password authentication and authorization, and the ability to define different types of connections that can be switched and shared. Security features also provide extra protection, supporting AES encryption for secured data transmissions, while RADIUS, LDAP, AD or remote user authentication provides an added layer of connection security; moreover, with an OSD, RS-232 support, and Auto MDIX, the [KE6912](#) is the most cost-effective and convenient way to get a full digital extension from anywhere on the intranet.

Whether users are monitoring, operating, controlling or extending computer access, the KVM over IP Matrix System is made adaptable, to fit an endless variety of working environments and workstation settings, to provide solutions in traffic management centers, retail surveillance centers, facility situation rooms, command control centers, utilities process control centers, broadcasting distribution monitoring systems, network operations centers (NOC), and many other industries where matrix extending is required.

Note:

1. The SFP module ([2A-136G](#) / [2A-137G](#)) is sold separately. Contact your ATEN dealer for product information.
2. Refer to www.aten.com for more about the KVM over IP extenders. For the latest list of compatible network switches, please visit: [ATEN Support Center](#) for more information.

Accessories:

*The power adapter and power cord for this product are sold separately. For more information about this accessory, see [Accessories](#).

Features

- **Exclusive Features for ATC Industry¹**
 - Supports 2K x 2K video resolution (2048 x 2048 @ 60Hz)
 - Boundless Switching – simply move the mouse cursor across screen boundaries to switch between different receivers (Rx)
 - Fast Switching – 0.3-second switching between transmitter-connected servers of any resolution
 - "Push" and "Pull" – shares content instantly to/from a single Rx or video wall by just one click
 - Authentication Lock – automatically logs in when the power of the system is resumed after power off
 - Connection Redundancy – automatically connects to another transmitter (Tx) after disconnection with the original Tx, ensuring constant access to servers
 - Disconnection Alert – Pop-up warning message and looping alarm beeping notify users the disconnection status
 - Supports power / network failover – ensures constant availability for mission-critical applications (1 DC jack+PoE for [KE6912](#); 1 RJ-45 and 1 SFP fiber for network failover)

• Advanced Features¹

- [ATEN Matrix Link](#) – allows you instant link transmitters and receivers, and perform real-time port and profile switching on an iPad
- Video Walls – creates multiple video walls with up to 12 x 12 (144 displays max.) in each layout
- Flexible connections – allows multiple extender and matrix connections for multi-display installations and video wall applications
- On-screen Preview (Panel Array™ Mode) – allows users to view the video of up to 36 displays on one screen
- Advanced Scheduling – improves efficiency and saves costs by allowing connections to be set based on time and date
- Channel connections allow RX devices to connect to multiple TX devices – to streams video, audio, USB and serial sources independently
- Virtual Transmitter – independently streams video, audio, USB, and serial sources from different Tx
- Internal and external authentication support – supports LDAP, Active Directory, RADIUS and TACACS+ external authentications
- Advanced user authorization settings – administrators can set four access modes of permissions on Tx devices for collaboration or to avoid interference among users
- Video grouping of up to 4 sets of KE series devices to support Multi-Display applications
- Configurable user and group permissions for access and control of KVM over IP extenders
- Rx access control – users at the Tx local console can enable / disable Rx access by simply pressing a control button ²

Note:

1. These advanced functions are supported when the KE transmitters are paired with KE receivers and managed by [CCKM](#).
2. The KVM over IP Access Control Box ([2XR-0015G](#)) is sold separately. Contact your ATEN dealer for product information.

• Hardware

- The housing meets IEC 60945 standards for maritime control room use and has passed environmental tests
- Supports 1Gbps SFP fiber module expansions up to 10 km ¹
- Advance processor provides lossless and zero latency video transmissions up to 2560 x 2048 @ 50Hz, 2560 x 1600 @ 60Hz; 8-bit RGB (24-bit total color)
- Audio enabled – supports stereo speakers and microphone
- High speed USB Storage Transmission support
- Auto-MDIX – automatically detects cable type
- Built-in 8KV/15KV ESD protection and 2KV surge protection
- Fanless design for silent operations that are energy efficient
- Rack Mountable – Mounting options:
 - [2X-021G](#) Dual Rack Mount Kit
 - [2X-031G](#) Single Rack Mount Kit
- Includes an industrial-grade power adapter – supports operating temperature of 0°C- 50°C to ensure durability and adaptability under harsh environmental conditions

Note:

1. The SFP module ([2A-136G](#) / [2A-137G](#)) is sold separately. Contact your ATEN dealer for product information.

• Management

- Centralized management software – KVM over IP Matrix Manager ([CCKM](#)) allows users to easily administrator all KE devices with an intuitive web-based GUI
- Dual console operation – controls your system from both the transmitter's and receiver's keyboard, monitor, and mouse consoles
- OSD (On Screen Display) on the receiver configures both units
- EDID Expert™ – selects optimum EDID settings for smooth power-up and highest quality display
- Four selectable access modes for multiple simultaneous access (Exclusive/Occupy/Share/ View only mode) – administrators can select access modes of permissions on Tx devices to boost collaboration or to avoid interference among users
- Command line interface – administrators can control all KVM over IP extenders via RS-232 or TCP/IP using a CLI or 3rd party application
- RS-232 serial ports – allow users to connect to a serial terminal for TextMenu, CLI, or serial devices such as touch screens and barcode scanners
- Supports Hotkey Commands
- Flashing LED and beeping features help locate and identify devices
- Video Compression Level – allows users to increase / decrease the video quality to adjust for appropriate network bandwidth
- Compatible with all KE devices

• Security

- Dedicated LAN port for KE direct connections – can be isolated from the corporate network
- Secure data transmission – AES 128-bit encryption to secure all data before transmitted over a network and decrypts the data on the receiver
- Supports industry standard Transport Layer Security (TLS) protocol

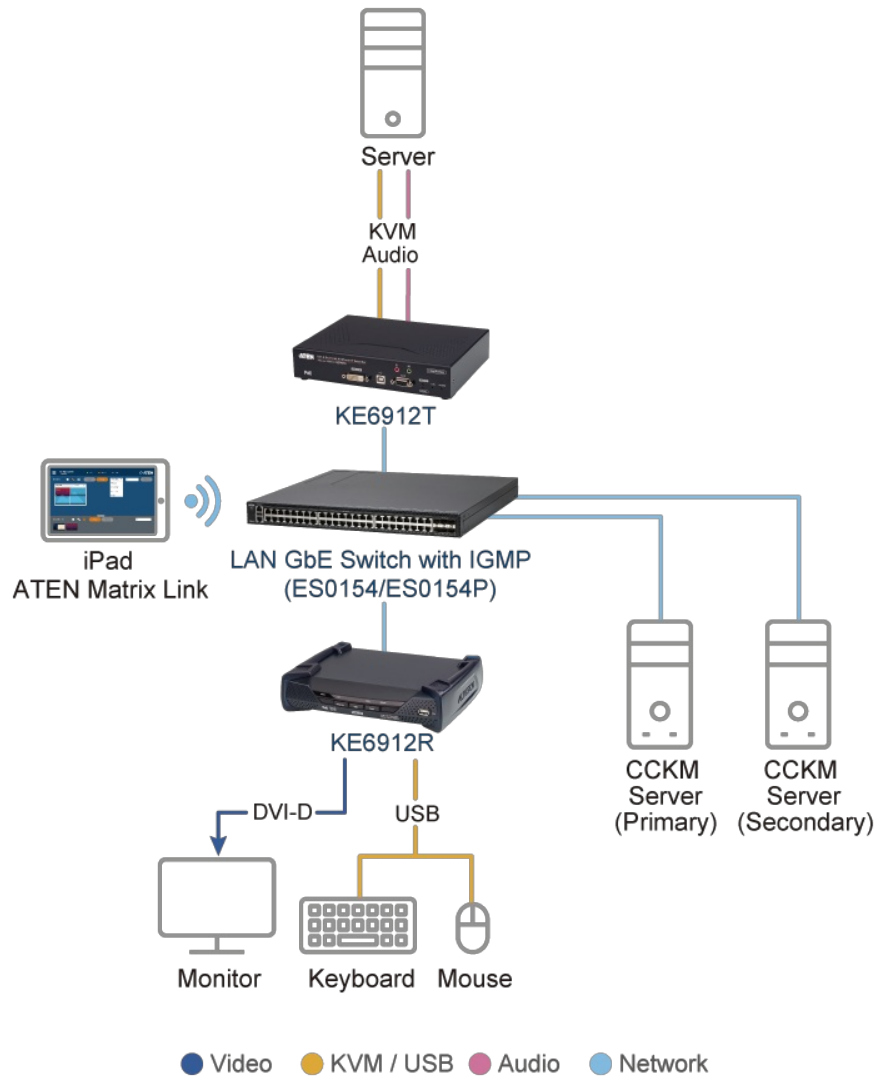
• Virtual Media

- USB Storage Transmission mode enhances data transmission performance, ideally for file transfers, OS patching, software installations and diagnostic testing
- Supports USB 2.0 DVD/CD drives, USB mass storage devices, PC hard drives and ISO images
- Supports Smart Card/CAC Reader

Specifications

Connectors	
USB Port	2 x USB Type A Female (White)
Console Ports	2 x USB Type A Female (White) 1 x DVI-D Female (White) 1 x Mini Stereo Jack (Green) 1 x Mini Stereo Jack (Pink) 1 x DB-9 Male (Black)
KVM Ports	N/A
Power	1 x DC Jack (Black)
LAN Ports	1 x RJ-45 (Black, PoE) 1 x SFP Slot
Switches	
OSD	1 x Pushbutton
Video	1 x Pushbutton
Graphics	1 x Pushbutton
Reset	1 x Semi-recessed Pushbutton
Mode Selection	1 x Slide Switch (Extension, RS-232 Config)
LEDs	
10/100/1000 Mbps	1 (10: Orange / 100: Orange & Green / 1000: Green)
Power	1 (Blue)
Local	1 (Green)
Remote	1 (Green)
Emulation	
Keyboard / Mouse	USB
Power Consumption	POE:11.27W:78BTU/h Note: ● The measurement in Watts indicates the typical power consumption of the device with no external loading. ● The measurement in BTU/h indicates the power consumption of the device when it is fully loaded.
Video Resolution	Up to 2560 x 2048 @ 50 Hz/2048 x 2048 @60Hz/2560 x 1600 @ 60 Hz
Latency	< 5ms
Environmental	
Operating Temperature	0–50°C
Storage Temperature	-20–60°C
Humidity	0–95% RH, Non-condensing
Physical Properties	
Housing	Metal
Weight	1.28 kg (2.82 lb)
Dimensions (L x W x H)	22.75 x 17.16 x 5.48 cm (8.96 x 6.76 x 2.16 in.)
Note	For some of rack mount products, please note that the standard physical dimensions of WxDxH are expressed using a LxWxH format.

Diagram



ATEN International Co., Ltd.

3F., No.125, Sec. 2, Datong Rd., Sijhih District., New Taipei City 221, Taiwan
 Phone: 886-2-8692-6789 Fax: 886-2-8692-6767
 www.aten.com E-mail: marketing@aten.com



© Copyright 2015 ATEN® International Co., Ltd.
 ATEN and the ATEN logo are trademarks of ATEN International Co., Ltd.
 All rights reserved. All other trademarks are the property of their respective owners.