

CS1964

4-Port USB3.0 4K DisplayPort Triple Display KVM™ Switch





4K Multitasking, Triple Power

4-Port USB 3.0 4K DisplayPort Triple Display KVMP™ Switch

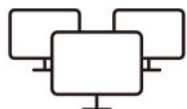
What is it?

The ATEN CS1964 optimizes your desktop so you can effortlessly manage a triple-display multimedia workstation with instant, user-friendly access to four computers via a single USB keyboard, USB mouse and three HDMI monitors supporting resolutions up to 4K DCI (4096 x 2160 @ 60Hz).

The CS1964 is equipped with ATEN's patented Video DynaSync™ technology which optimizes display resolution, speeds up switching between systems, and ensures that windows opened on an extended desktop will not revert to their default configurations on the main display when switching between ports, providing a smooth and uninterrupted user experience. It features a USB 3.1 GEN hub for data transfer rates up to 5 Gbps, allowing you to accelerate multimedia operations with ease, as well as N-key Rollover, offering support for up to 15 simultaneous keystrokes without ghosting or jamming.



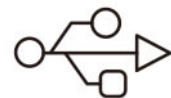
Visual Clarity (DCI)



Triple Display

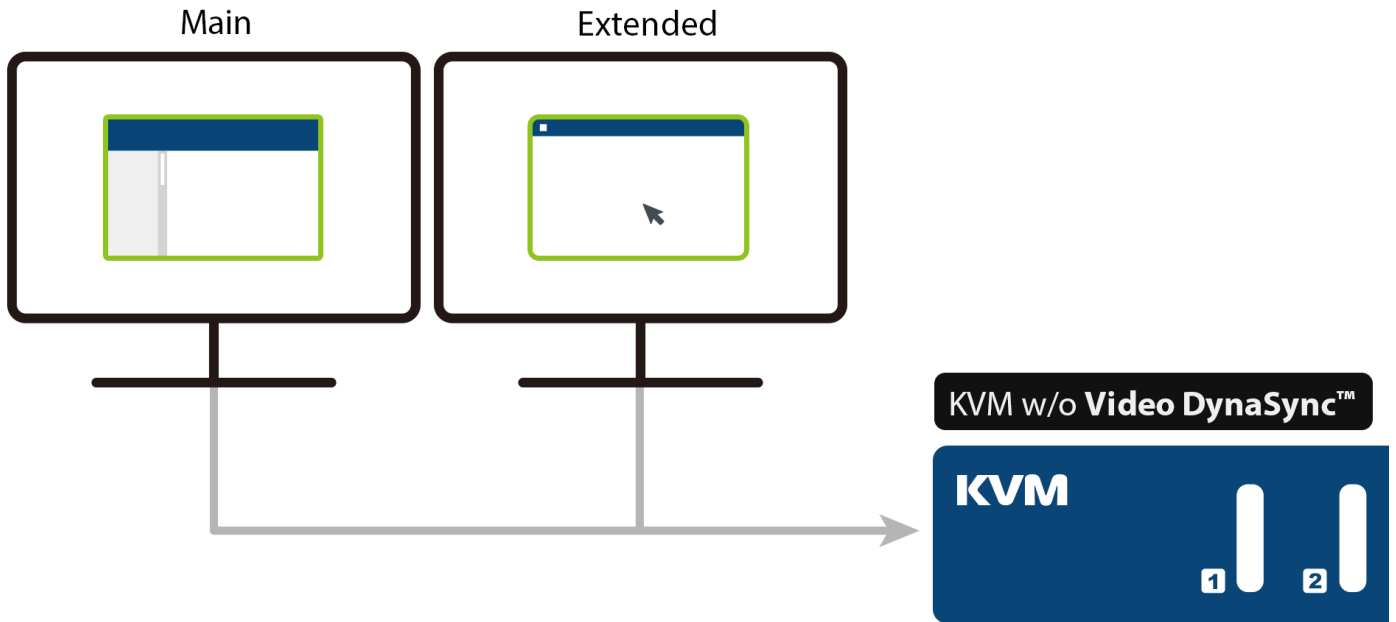


Optimal Image Switching



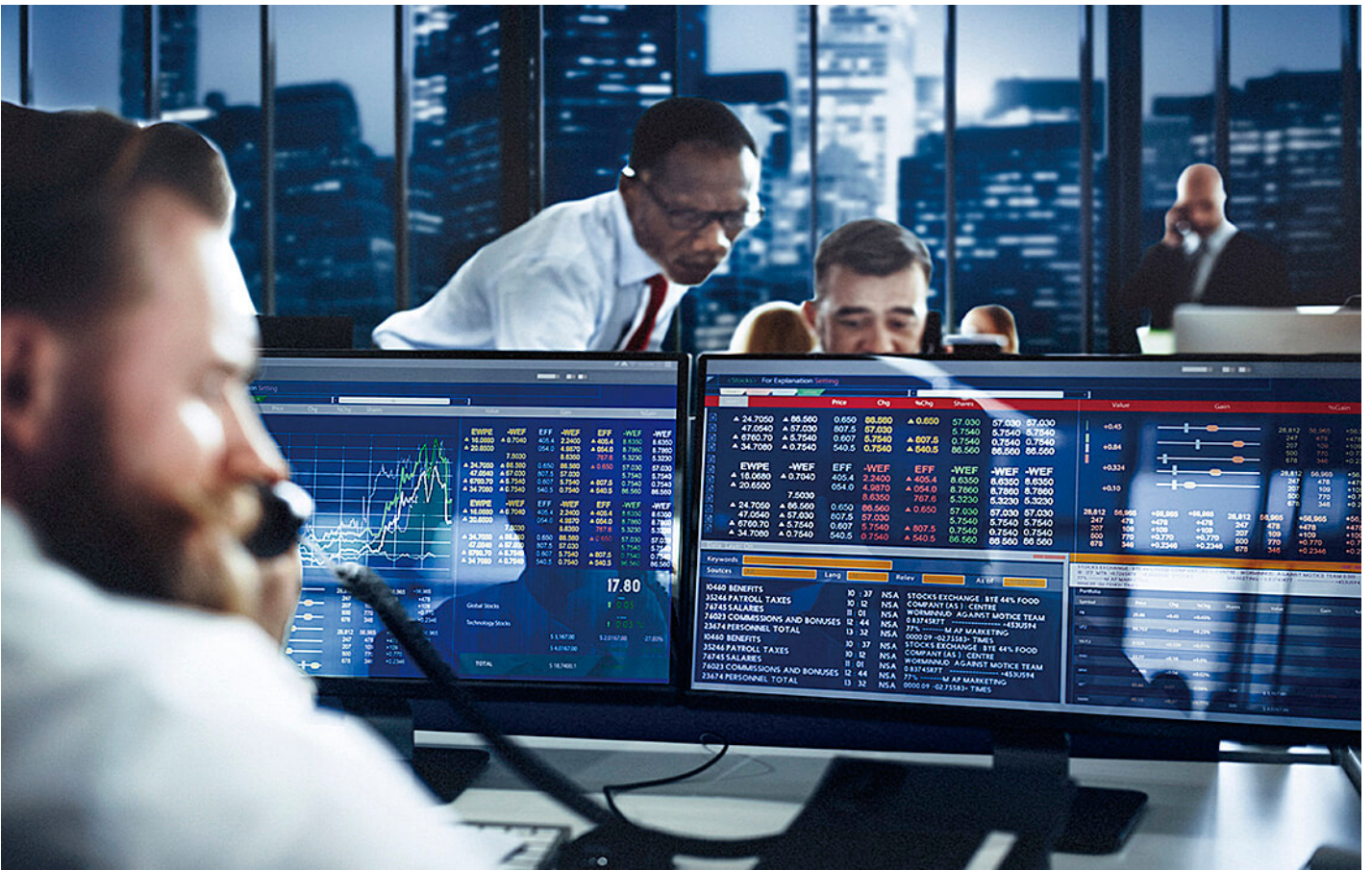
2-port USB 3.1 Gen 1 Hub

Optimized Image Switching with Video DynaSync



Financial Trading

Increased digitization has transformed financial services and has had a profound effect on trading infrastructure. Workers in the financial services industry often hold the fiscal well-being of an individual or entire company at their fingertips. This makes multi-display setups essential to effectively manage and evaluate critical financial data. Or, in the breakneck pace of an environment like a trading room, information such as share prices and global commodity pricing needs to be rigorously monitored in real time, a task that a single screen setup now renders nearly impossible. Another vital challenge technology this industry faces is the maintaining of data security in an age where financial data is constantly under risk of external attacks.

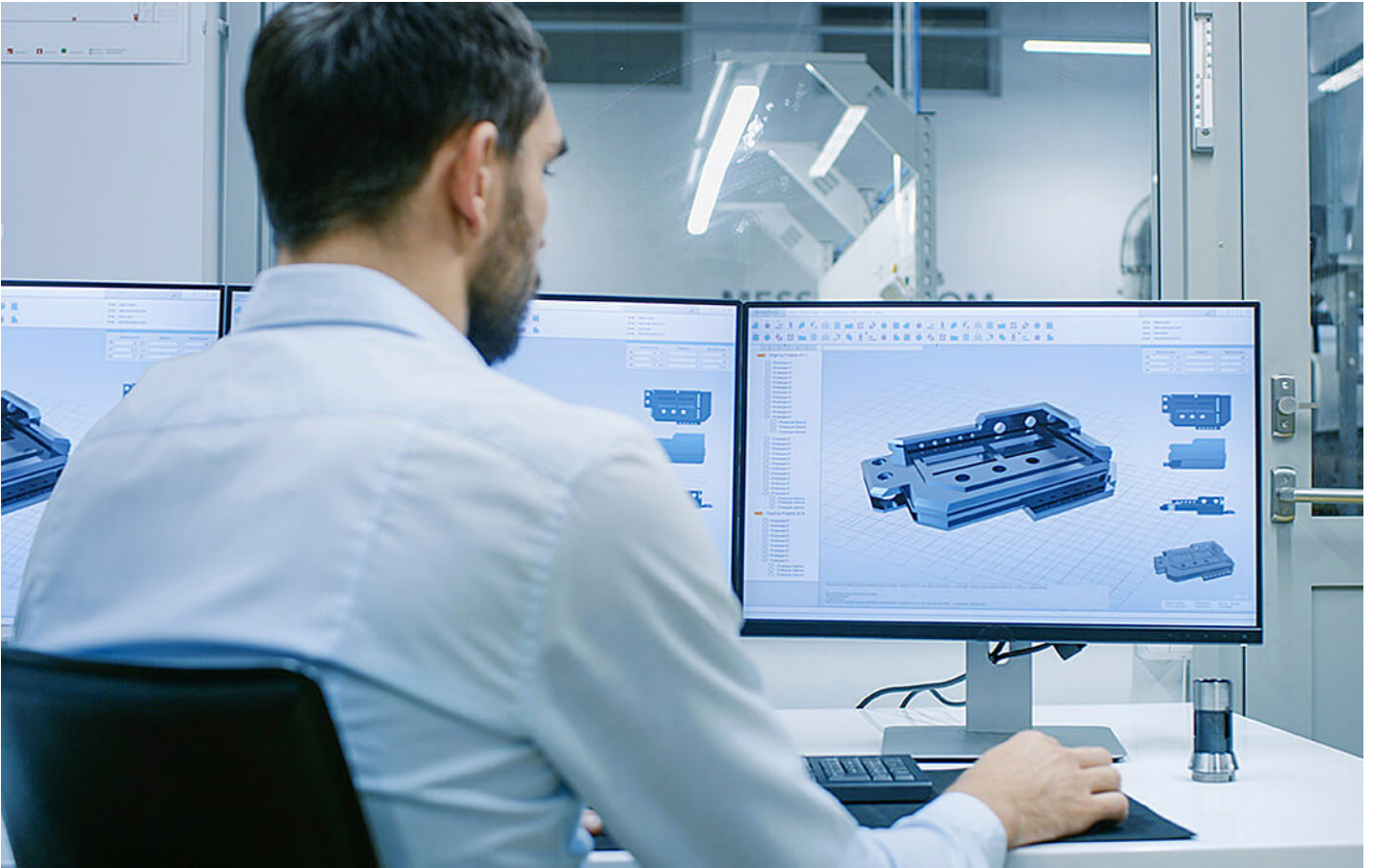


Contact Us

Get a quote for this product or get in touch with our sales experts

[Get Quote](#)

[Contact Sales](#)



CAD/CAM

Desktop KVM solutions are a highly effective way to optimize workflow in post-production and graphic design environments. In fact, CAD/CAM design was among the first work environments in which a multiple-screen display was implemented, due to the large amount of complex content that needed to be viewed at once to be manipulated effectively. In addition, work in these areas requires precise video clarity and large data transfer rates. In order to effectively manipulate a variety of content at one time, CAD/CAM and post production engineers require KVM switches that are compatible with the most up-to-date display standards as well, offer seamless control of multiple computers, and allow high-speed access to a wide range of peripherals.

Control Room/Call Center

Desktop KVM switches are used in fast-paced control room and call center scenarios where distances from information sources aren't long enough to require KVM extenders but multiple systems still need to be accessed from one console, allowing operators to efficiently and effectively monitor multiple information streams in order to make accurate mission-critical decisions. In these situations, such as air traffic control or emergency dispatch call centers, where detailed overviews of visual data from synchronized recording and replay systems are required so that reaction times are as fast as possible, it is also important that solutions offer maximum operator comfort while decreasing desktop clutter so that workflow remains smooth and unhindered.



Talk to Our Experts

If you prefer to have ATEN contact you, please complete the form and a representative will be in touch with you shortly

- Country *
▼

- Customer Type *
▼

▲

▼



Features

The ATEN CS1964 optimizes your desktop organization to help you effortlessly manage a triple-display multimedia workstation. The CS1964 provides instant, user-friendly access to four computers via a single USB keyboard, USB mouse and three HDMI monitors. By daisy-chaining two CS1964 for six displays, you can multitask smoothly to increase productivity and improve workflow.

The CS1964 is equipped with patented ATEN technology – Video DynaSync™ – which optimizes display resolution, speeds up switching between systems, and ensures that windows opened on an extended desktop will not revert to their default configurations on the main display when switching between ports, providing a smooth and uninterrupted user experience. What's more, the CS1964 supports the most superior video quality up to 4K DCI (4096 x 2160 @ 60Hz). In addition, the CS1964 delivers data transfer rates up to 5 Gbps with a built-in USB 3.1 Gen 1 hub, allowing you to accelerate multimedia operations with ease, and equipped with N-key Rollover, offering support for up to 15 simultaneous keystrokes that avoids ghosting or jamming.

Integrating all these advanced functionalities, the CS1964 provides a unique advantage for users who need to operate multiple systems and perform multiple tasks across a triple-display extended desktop. The CS1964 especially benefits those doing financial trading, CGI work, graphic design, control center, call center, video post production, gaming applications, and more.

- One USB keyboard/mouse and three HDMI monitors control four DisplayPort computers
- Supports superior video quality – up to 4K DCI (4096 x 2160 @ 60Hz)
- DisplayPort 1.2 compliant, HDMI compliant, HDCP 2.2 compliant
- Computer selection via pushbuttons, hotkeys, mouse¹, and RS-232 Commands²
- Supports N-key Rollover³ (NKRO) – permits collision-free keying
- Video DynaSync™ – an exclusive ATEN technology that optimizes display resolution, speeds up switching between systems, and ensures that windows opened on an extended desktop will not revert to their default configurations on the main display when switching between ports
- Supports six displays by connecting two triple display KVM switches
- Built-in 2-Port USB 3.1 Gen 1 hub with SuperSpeed 5 Gbps data transfer rates
- Supports Console keyboard emulation/bypass feature
- Supports Console mouse emulation/bypass feature
- Independent switching of KVM, USB peripheral, and audio focus⁴
- Supports HD Audio⁴
- Firmware upgradable

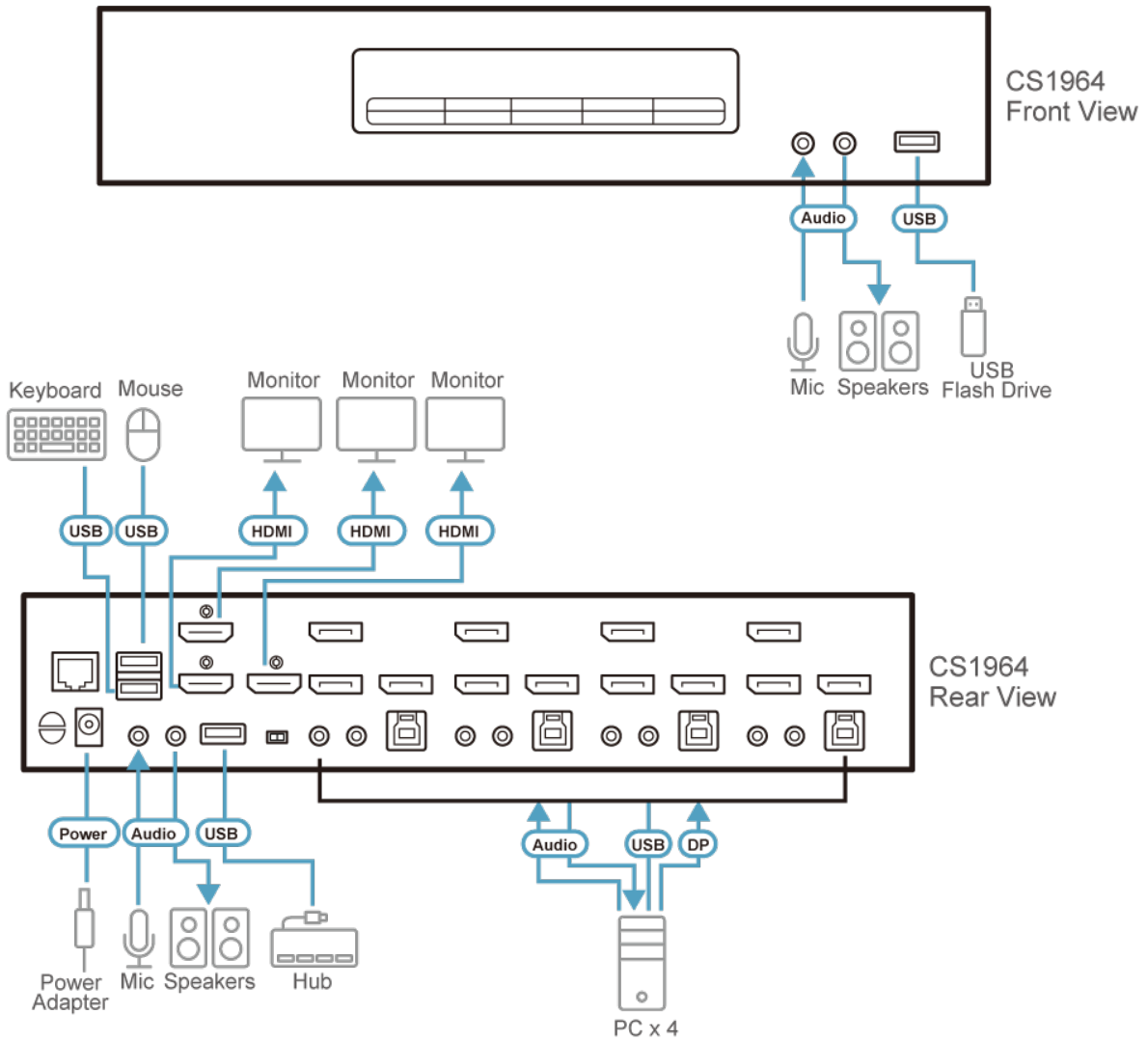
Note:

1. Mouse port switching is only supported under mouse emulation mode and by USB 3-key wheel mice.
2. Slide the DCC switch to the s position to allow the KVM switch to receive RS-232 commands via an RJ-45-to-DB9 cable. Please refer to the CS1964 RS-232 Commands document.
3. N-key Rollover supports up to 15 simultaneous keystrokes.
4. HD audio through DisplayPort-HDMI cannot be switched independently.

Specifications

Computer Connections	4
Port Selection	Hotkey, Pushbutton, Mouse, RS-232 Commands
Connectors	
Console Ports	2 x USB Type A Female 3 x HDMI Female (Black) 2 x 3.5mm Audio Jack Female (Green; 1 x front, 1 x rear) 2 x 3.5mm Audio Jack Female (Pink; 1 x front, 1 x rear)
KVM (Computer) Ports	4 x USB3.1 Gen1 Type B Female (Blue) 12 x DisplayPort Female (Black) 4 x 3.5mm Audio Jack Female (Green) 4 x 3.5mm Audio Jack Female (Pink)
Daisy Chain Ports	1 x RJ-45 Female
Power	1 x DC Jack
USB Hub	2 x USB3.1 Gen1 Type A Female (Blue; 1 x front; 1 x rear)
Switches	
Selected	5 x Pushbutton
Station Selection	1 x Slide Switch
LEDs	
USB Link	5 (Green)
Audio	5 (Green)
KVM	5 (Orange)
Emulation	
Keyboard / Mouse	USB
Video	4096 x 2160 @ 60 Hz; 2560 x 1440 @ 144 Hz
Scan Interval	1-99 seconds (default: 5 seconds)
Power Consumption	DC12V:15.49W:115BTU/h Note: ● The measurement in Watts indicates the typical power consumption of the device with no external loading. ● The measurement in BTU/h indicates the power consumption of the device when it is fully loaded.
Environmental	
Operating Temperature	0–50°C
Storage Temperature	-20–60°C
Humidity	0-80% RH, Non-condensing
Physical Properties	
Housing	Metal
Weight	1.93 kg (4.25 lb)
Dimensions (L x W x H)	33.50 x 15.60 x 6.55 cm (13.19 x 6.14 x 2.58 in.)
Note	For a full video resolution supported list, please go to ATEN website > Product > Desktop KVM Switches, and scroll down to see Max. Resolution tab for more information.
Note	For some of rack mount products, please note that the standard physical dimensions of WxDxH are expressed using a LxWxH format.

Diagram



ATEN International Co., Ltd.

3F., No.125, Sec. 2, Datong Rd., Sijhih District., New Taipei City 221, Taiwan
 Phone: 886-2-8692-6789 Fax: 886-2-8692-6767
 www.aten.com E-mail: marketing@aten.com



© Copyright 2015 ATEN® International Co., Ltd.
 ATEN and the ATEN logo are trademarks of ATEN International Co., Ltd.
 All rights reserved. All other trademarks are the property of their respective owners.