

VS0801HB

8-Port True 4K HDMI Switch



The ATEN VS0801HB is designed for applications that require the routing of 8 sources to one compatible display device. It supports video resolutions up to True 4K (4096 x 2160 @ 60Hz 4:4:4), data rates up to 18 Gbps, 3D, Deep Color up to 12-bit, and HD lossless audio formats. The VS0801HB features Auto Switching modes for auto port selection. Multiple convenient control options include front panel pushbuttons, bi-directional RS-232, IR, and auto switch, allowing for easy integration.

Engineered to meet today's demand of True 4K signal transmission and user-oriented design, the ATEN VS0801HB is a powerful solution for a wide range of settings, such as home theater, meeting rooms, trade shows, and shopping centers.



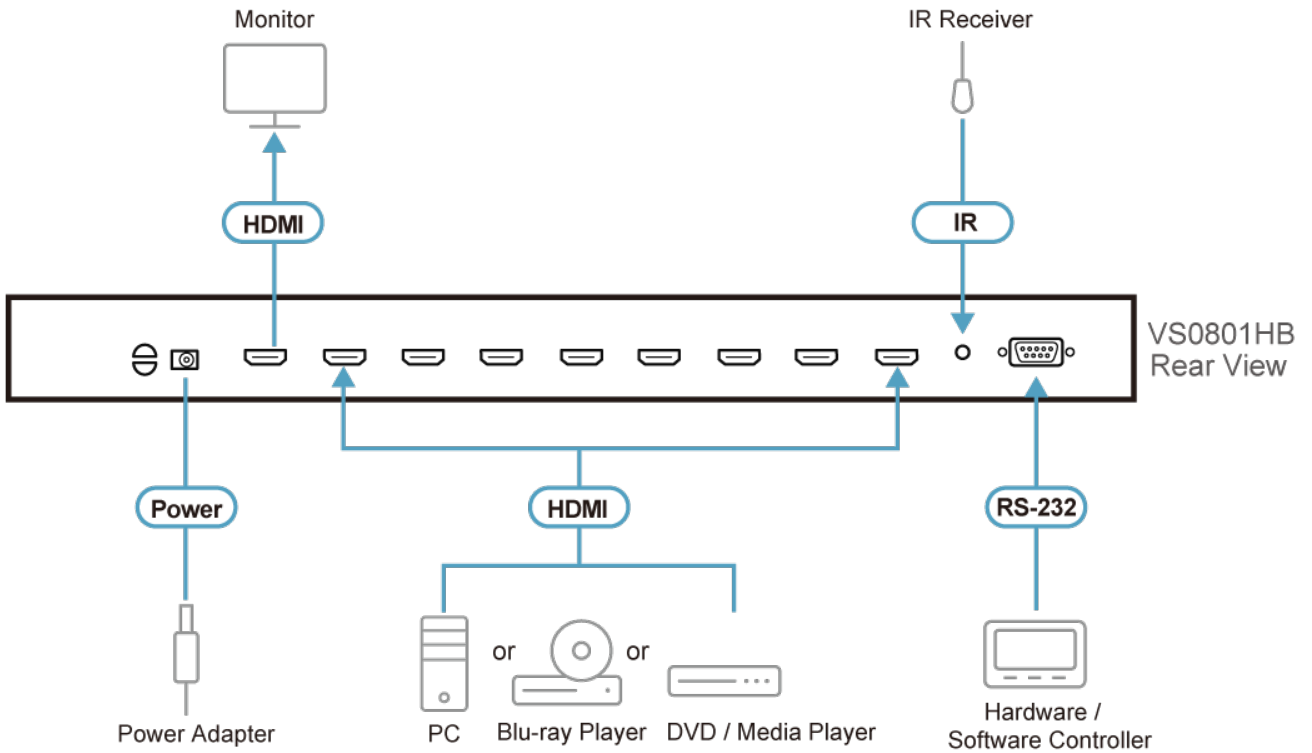
Features

- Allows up to 8 HDMI sources to be connected to one HDMI display
- HDMI (3D, Deep Color, 4K); HDCP 2.2 compliant
- Superior video quality - True 4K resolutions of 4K x 2K @ 60 Hz (4:4:4) and standard 1080p (1920 x 1080 @ 60 Hz)
- Supports HDR10+
- Built-in bi-directional RS-232 serial port for high-end system control
- Auto switching modes for auto port selection
- Supports IR extension
- Clear LED indication of device status
- Plug-and-play
- Rack mountable

Specifications

| | |
|------------------------|---|
| Switches | |
| DIP | 1 x Auto Switch ON / OFF |
| Video Input | |
| Interfaces | 8 x HDMI Type A Female (Black) |
| Impedance | 100 Ω |
| Max. Distance | 5M at 4096 x 2160 / 3840 x 2160 @ 60Hz (4:4:4) |
| Video Output | |
| Interfaces | 1 x HDMI Type A Female (Black) |
| Impedance | 100 Ω |
| Max. Distance | 5M at 4096 x 2160 / 3840 x 2160 @ 60Hz (4:4:4) |
| Video | |
| Max. Data Rate | 18 Gbps (6 Gbps Per Lane) |
| Max. Pixel Clock | 600 MHz |
| Compliance | HDMI 2.0 (3D, Deep Color) HDCP 2.2 Consumer Electronics Control (CEC) |
| Max. Resolution | Up to 4096 x 2160 / 3840 x 2160 @ 60Hz (4:4:4) |
| Max. Distance | 5M at 4096 x 2160 / 3840 x 2160 @ 60Hz (4:4:4) |
| Control | |
| RS-232 | Connector: 1 x DB-9 Female (Black) Baud Rate: 19200, Data Bits: 8, Stop Bits:1, Parity: No, Flow Control: No |
| IR | 1 x Mini Stereo Jack Female (Black) |
| Connectors | |
| Power | 1 x DC Jack (with locking) |
| Power Consumption | DC5V:0.94W:4BTU/h Note: ● The measurement in Watts indicates the typical power consumption of the device with no external loading. ● The measurement in BTU/h indicates the power consumption of the device when it is fully loaded. |
| Environmental | |
| Operating Temperature | 0 - 40°C |
| Storage Temperature | -20 - 60°C |
| Humidity | 0 - 80% RH, Non-Condensing |
| Physical Properties | |
| Housing | Metal |
| Weight | 2.14 kg (4.71 lb) |
| Dimensions (L x W x H) | 43.72 x 15.83 x 4.40 cm (17.21 x 6.23 x 1.73 in.) |
| Carton Lot | 3 pcs |
| Note | For some of rack mount products, please note that the standard physical dimensions of WxDxH are expressed using a LxWxH format. |

Diagram



ATEN International Co., Ltd.

3F., No.125, Sec. 2, Datong Rd., Sijhih District., New Taipei City 221, Taiwan
 Phone: 886-2-8692-6789 Fax: 886-2-8692-6767
 www.aten.com E-mail: marketing@aten.com



© Copyright 2015 ATEN® International Co., Ltd.
 ATEN and the ATEN logo are trademarks of ATEN International Co., Ltd.
 All rights reserved. All other trademarks are the property of their respective owners.