

VC882

True 4K HDMI Repeater with Audio Embedder and De-Embedder





True 4K HDMI Audio Embedder and De-Embedder

HDMI[™]
HIGH-DEFINITION MULTIMEDIA INTERFACE

3D, Deep Color



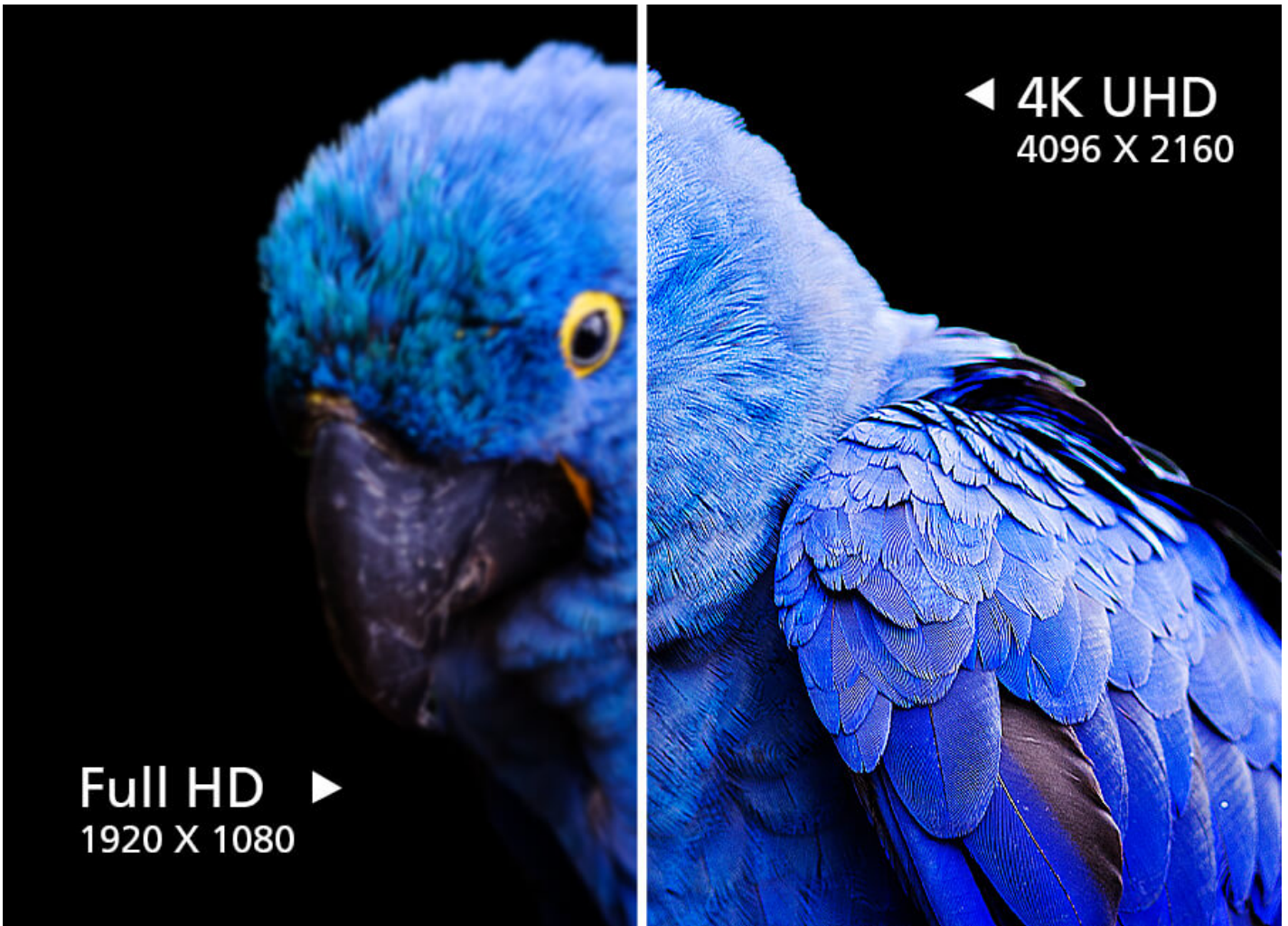
Superior Video Quality



Audio Embedding / De-embedding



Audio Return Channel



Stunning visual clarity with true 4K & HDR

Indulge in breathtaking clarity and vibrant colors with the VC882 HDMI switcher, featuring support for 4K HDR 10+ video at 60Hz that will elevate your viewing to a whole new level.

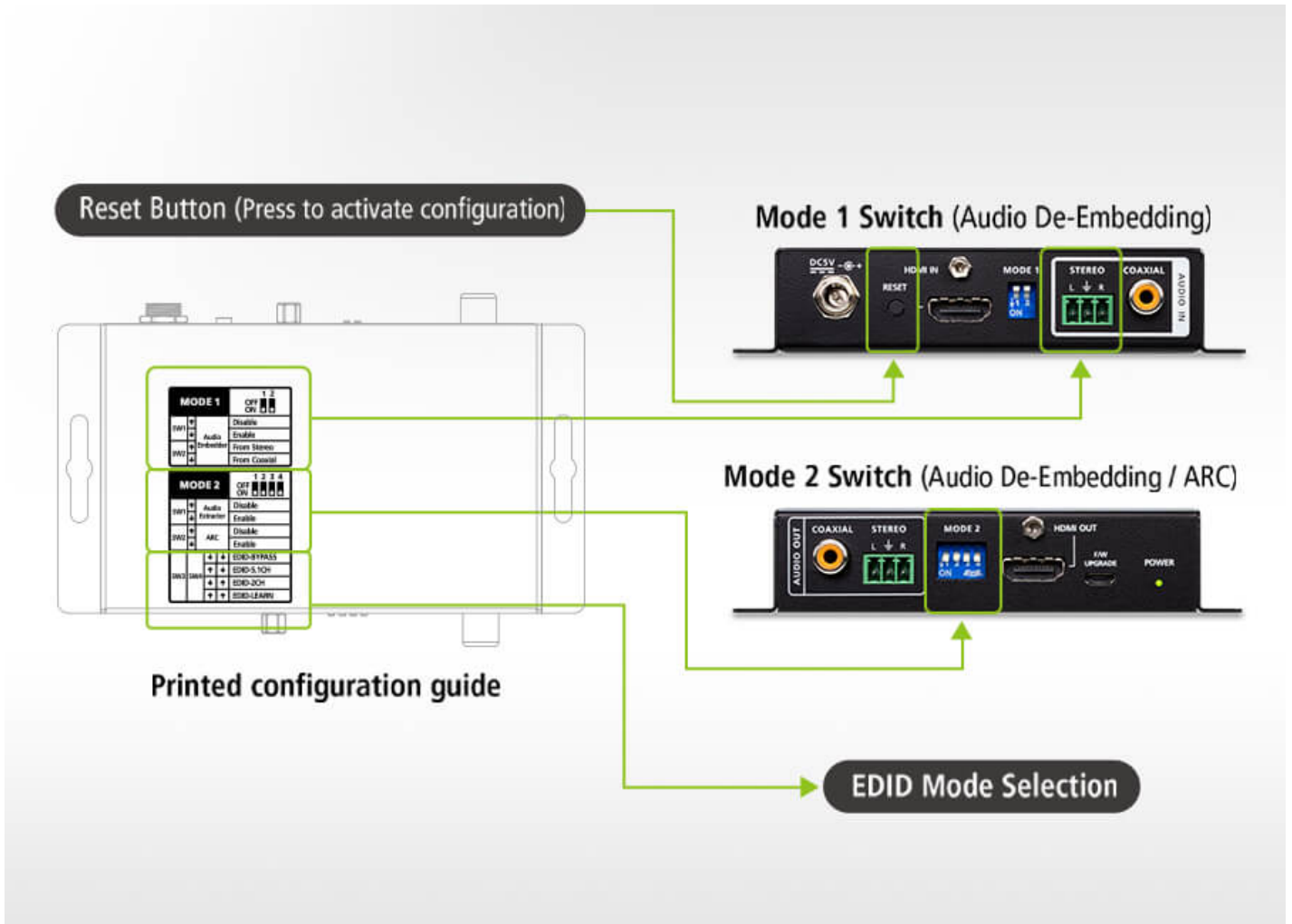
True 4K long-distance transmission

Enjoy stunning visuals with this HDMI switcher's support for input and output resolutions of 3840 x 2160@60Hz (4:4:4) / 4096 x 2160@60Hz (4:4:4) up to 5 meters*, providing you with a clear and vivid image even at longer distances.

*Tested with ATEN HDMI Cable [2L-7D05H-1](#).

**Note: ATEN LockPro™ ([2X-EA12](#)) is available separately upon purchase.





Simplified configuration

Easily configure VC882 with the included printed setup guide that covers audio embed/de-embed, ARC, and EDID options for hassle-free setup.

Contact Us

Get a quote for this product or get in touch with our sales experts

[Get Quote](#)

[Contact Sales](#)

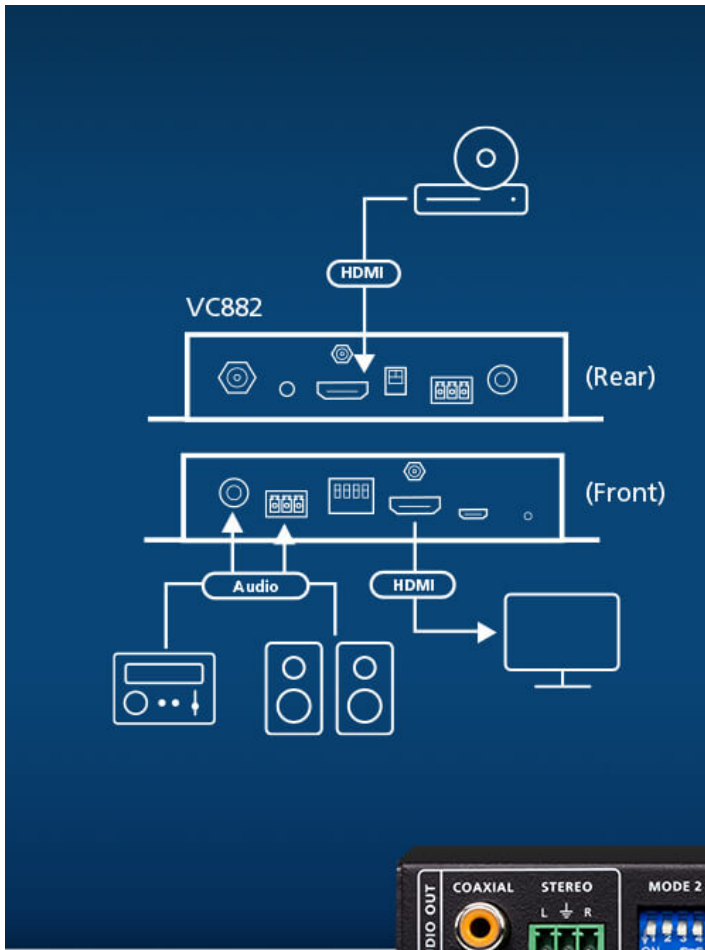
Easy audio embedding

Enhance your viewing experience with the VC882 by simplifying audio embedding for monitoring and recording in settings such as training rooms and classrooms.

The image is a composite of four parts. On the left is a white wiring diagram on a dark blue background. It shows a source device with an HDMI output and an Audio output. The VC882 device has an HDMI input (Rear) and an Audio input (Rear). The VC882 has an HDMI output (Front) and an Audio output (Front). The Audio output (Front) is connected to a VS182B HDMI Splitter, which has two HDMI outputs connected to a server and a monitor. On the right, there are two photographs. The top one shows a chef in a blue uniform and a woman in a white apron in a kitchen, with a green arrow pointing to the text 'Cooking School'. The bottom one shows a classroom with a large screen displaying a hot air balloon, with a green arrow pointing to the text 'Classroom'. At the bottom center is a photograph of the VC882 device, a black rectangular unit with a 'COAXIAL' output, 'STEREO' output (L and R), 'MODE 2' indicator, 'HDMI OUT', 'FW UPGRADE' button, and 'POWER' indicator.

Enjoy superior sound

Experience superior sound quality in conference rooms or home theaters with the VC882's audio de-embedding feature that separates the audio signal from the HDMI signal and outputs it to an amplifier or speaker.



◀ Conference Room



◀ Home Theater



Hassle-free audio setup

Eliminate the need for extra audio cables and enjoy an easy setup with the audio return channel (ARC) function, which directly outputs TV audio to speakers or amplifiers.



No Audio Cable Needed



Audio In



Audio Out



Product Comparison

Talk to Our Experts

If you prefer to have ATEN contact you, please complete the form and a representative will be in touch with you shortly

Registration form with fields: First Name *, Last Name *, - Country *, Company *, Email *, Phone Number *, - Customer Type *, Job Title *



A/V Out
HDMI



A/V In
HDMI



Audio Out
Coaxial

Features

The VC882 is a True 4K HDMI Repeater with Audio Embedder and De-Embedder capable of embedding or de-embedding the HDMI audio signal, while supporting the HDMI signal transmission distance up to 5 meters with True 4K resolution. Apart from embedding a separate audio to an outgoing HDMI signal, the VC882 also allows audio extraction from the HDMI signal, and outputs the extracted signal through an alternative audio system.

In terms of the audio aspect, the VC882 works with versatile pass-through of HDMI audio formats – LPCM2.0, Dolby Digital 2.0, Dolby Digital 5.1 and DTS Digital 5.1. The VC882 also supports ARC function which eliminates the need of bulky cable setups when connecting an AV receiver, or a home theater system to a TV. When it comes to the video aspect, the VC882 supports True 4K (4096 x 2160 @ 60Hz 4:4:4) in HDR10, HDR10+, Dolby Vision and Hybrid Log-Gamma (HLG) formats to provide staggeringly crisp images. It is HDCP 2.2-compliant for content protection. The compact enclosure design, True 4K signal transmission, and embedding / de-embedding capability have made the VC882 ideal for training and conference rooms, video production, and home theater installations.

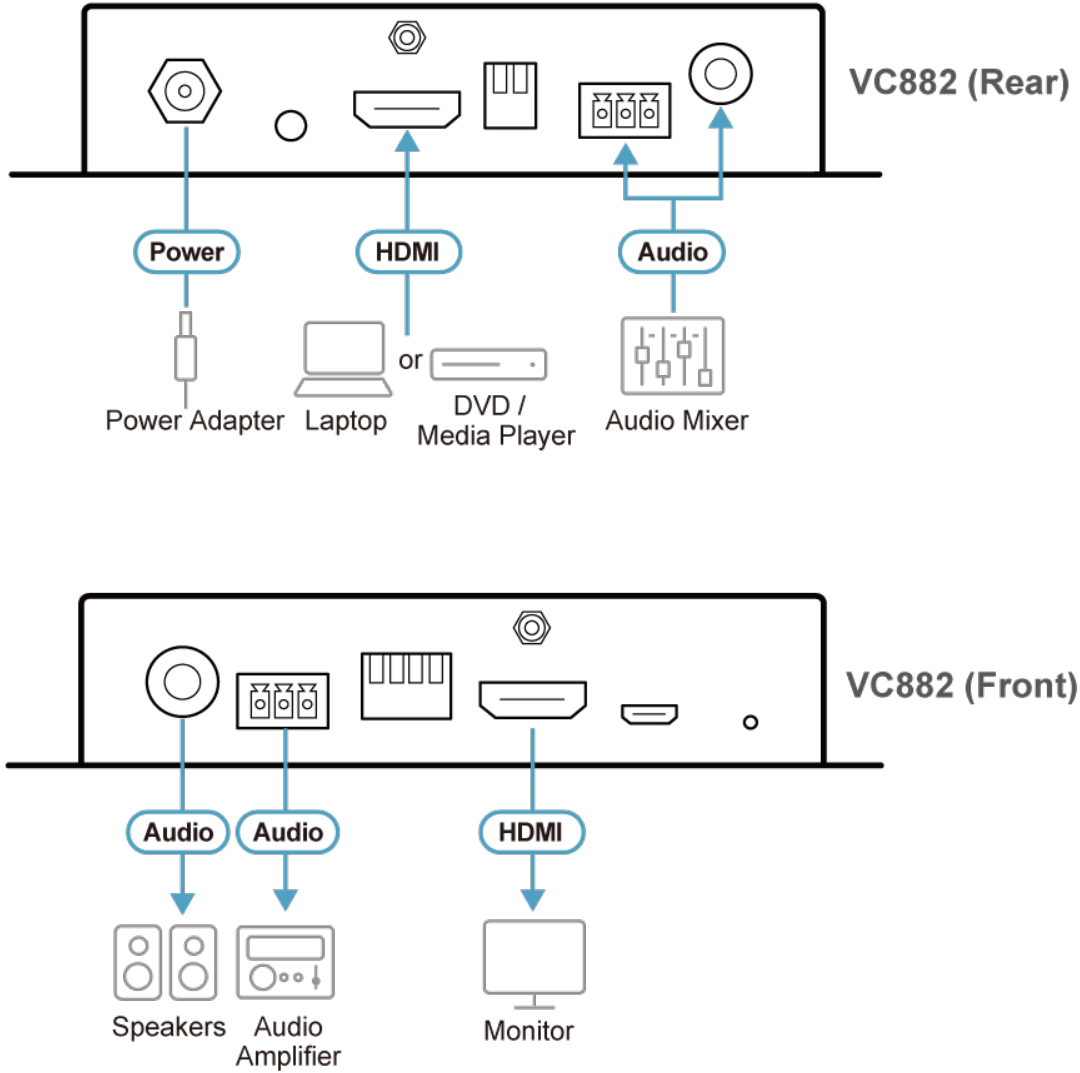
- Embeds audio to the HDMI output or de-embeds audio from the HDMI signal and outputs the extracted signal through an alternative audio system
- Easy embedding / de-embedding mode selection via 2 / 4-pin DIP switches
- HDMI (3D, Deep Color, True 4K); HDCP 2.2 compliant
- True 4K video quality – supports resolutions up to 4096 x 2160 @ 60Hz (4:4:4)
- Supports True 4K / HDR formats – HDR10, HDR10+, Dolby Vision and Hybrid Log-Gamma (HLG)
- Supports HDMI audio formats – LPCM 2.0, Dolby Digital 2.0, Dolby Digital 5.1 and DTS Digital 5.1
- Compact, portable metal enclosure designed for HDMI Lock-pro
- Firmware upgradable

Specifications

| | |
|------------------|---|
| LEDs | |
| Power | LED (blue) x1 |
| Reset Button | Push button x1 (to activate mode configuration) |
| Switches | |
| Mode Selection | <p>MODE 1 (2-PIN) PIN#1 (Enable / Disable Audio Embedder Function) PIN#2 (Audio embed from Coaxial / Stereo)</p> <p>MODE 2 (4-PIN) PIN#1 (Enable / Disable Audio Extractor Function) PIN#2 (Enable / Disable ARC function) PIN#3&4 (EDID mode selection: Bypass, 5.1 CH, 2 CH, Learn)</p> |
| Video Input | |
| Interfaces | 1 x HDMI Type A Female (Black) |
| Impedance | 100 Ω |
| Max. Distance | 5 meters |
| Video Output | |
| Interfaces | 1 x HDMI Type A Female (Black) |
| Impedance | 100 Ω |
| Max. Distance | 5 meters |
| Video | |
| Max. Data Rate | 18 Gps |
| Max. Pixel Clock | 600 MHz |
| Compliance | HDMI 2.0 (3D, Deep Color) HDCP 2.2 |
| Max. Resolution | 4096 X 2160@60Hz(4:4:4) 8 bit |
| Audio | |
| Output | <p>Coaxial x1 Format: LPCM2.0, Dolby Digital 2.0, Dolby Digital 5.1, DTS Digital 5.1 3-pin terminal block x 1 Format: Analog, stereo, unbalanced, LPCM2.0</p> |
| Input | <p>Coaxial x1 Format: LPCM2.0, Dolby Digital 2.0, Dolby Digital 5.1, DTS Digital 5.1 3-pin terminal block x 1 Format: Analog, stereo, unbalanced, LPCM2.0</p> |
| Connectors | |
| Power | 1 x DC Jack, 5V 1A, Lockable |

| | |
|------------------------|---|
| Firmware Upgrade | 1 x Micro USB |
| Power Consumption | DC5V:2.905W:9.92BTU/h Note: <ul style="list-style-type: none"> ● The measurement in Watts indicates the typical power consumption of the device with no external loading. ● The measurement in BTU/h indicates the power consumption of the device when it is fully loaded. |
| Environmental | |
| Operating Temperature | 0 - 40 °C |
| Storage Temperature | -20 - 60 °C |
| Humidity | 0 - 80% RH, Non-Condensing |
| Physical Properties | |
| Housing | Metal |
| Weight | 0.24 kg (0.53 lb) |
| Dimensions (L x W x H) | 12.22 x 8.22 x 2.50 cm (4.81 x 3.24 x 0.98 in.) |
| Carton Lot | 5 pcs |
| Note | For some of rack mount products, please note that the standard physical dimensions of WxDxH are expressed using a LxWxH format. |

Diagram



ATEN International Co., Ltd.

3F., No.125, Sec. 2, Datong Rd., Sijhih District., New Taipei City 221, Taiwan
 Phone: 886-2-8692-6789 Fax: 886-2-8692-6767
 www.aten.com E-mail: marketing@aten.com



© Copyright 2015 ATEN® International Co., Ltd.
 ATEN and the ATEN logo are trademarks of ATEN International Co., Ltd.
 All rights reserved. All other trademarks are the property of their respective owners.