

PE4102

2-Outlet Eco PDU Power Controller



Engineered to be an intelligent power distribution solution, the PE4102G Eco PDU Power Controller ships with 2 power outlets in an IEC socket configuration. It provides secure, centralized, intelligent, and remote power management of [data center](#) IT equipment to minimize operating costs.

The PE4102G features the remote power control function, allowing you to control devices attached to the [PDU](#) at the [PDU](#) device level from practically any location via a TCP/IP connection. The power sequence design eliminates the risks of power inrush, guaranteeing reliable operation and protecting the overall system health. With the support for [eco DC](#) software, it provides an easy method for managing multiple devices, offering an intuitive and user-friendly Graphical User Interface that allows you to configure a [PDU](#) device and reboot the device in case any equipment lock-up occurs. Additionally, the auto ping and auto reboot functions ensure devices remain responsive by automatically detecting connection issues and rebooting when necessary. Administrators can switch on/off or set a delay time for each power outlet or individual power outlet group whenever, wherever.

The PE4102G boasts a slim, compact form factor and supports desk mount, wall mount, as well as rack mount, ensuring easy installation in confined spaces. It is a smart eco [PDU](#) power controller tailored for hospitality or retail applications, such as digital signage and video walls, for edge computing devices, including routers, servers, and cameras, or for any [data center](#) environments where there is no need to keep the servers powered on at all times.



Power-on Sequencing



Remote Control



Auto Reboot



Auto Ping

Features

• Power Distribution

- Space-saving slim form factor
- IEC power outlets
- Separates power for the unit's operation and its power outlets – the user interface remains accessible even when an overload condition trips the device's circuit breaker

• Remote Access

- Remote power control via TCP/IP and a built-in 10/100 Ethernet port
- Network Interfaces: TCP/IP, UDP, HTTP, HTTPS, SSL, SMTP, ARP, NTP, DNS, SNMP V1&V2&V3, auto sense, Ping, Telnet, Modbus (over TCP/IP)
- Works with web-based [eco DC](#) software
- Supports IMAP and POP3 email protocols – allows users to switch PE4102G's outlets on/off via email
- Schedule control

• Operation

- Local and remote power outlet control (On, Off, Power Cycle) by individual outlets
- Power-on sequencing – users can set the power on sequence and delay time for each port to allow equipment to be turned on in a proper order
- Easy setup and operation via a browser-based user interface
- Receives heartbeat signals from connected devices through PMonitor to verify normal operation and automatically reboots them if no signal is received
- Outlet lock functionality – use of the front panel Power Control Button for the outlet can be disabled to prevent inadvertent button presses

• Security

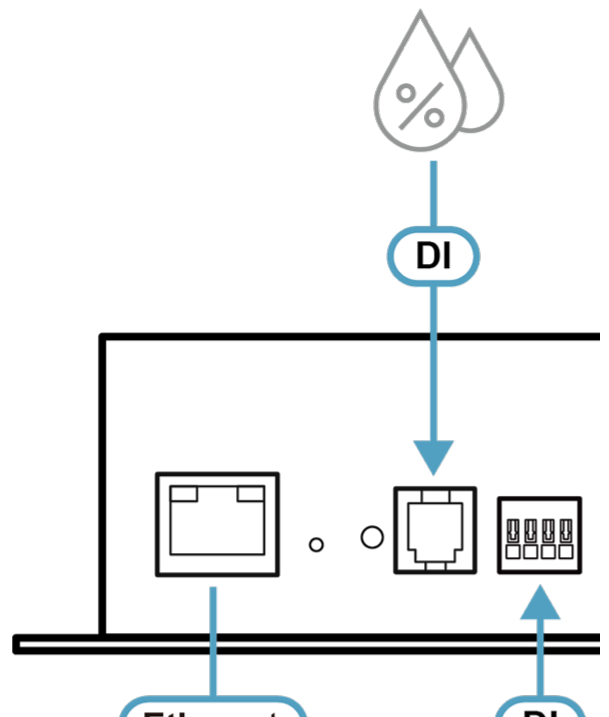
- Two-level password security
- Strong security features include password protection and advanced encryption technologies – TLS1.2 & TLS1.3
- Remote authentication support: RADIUS

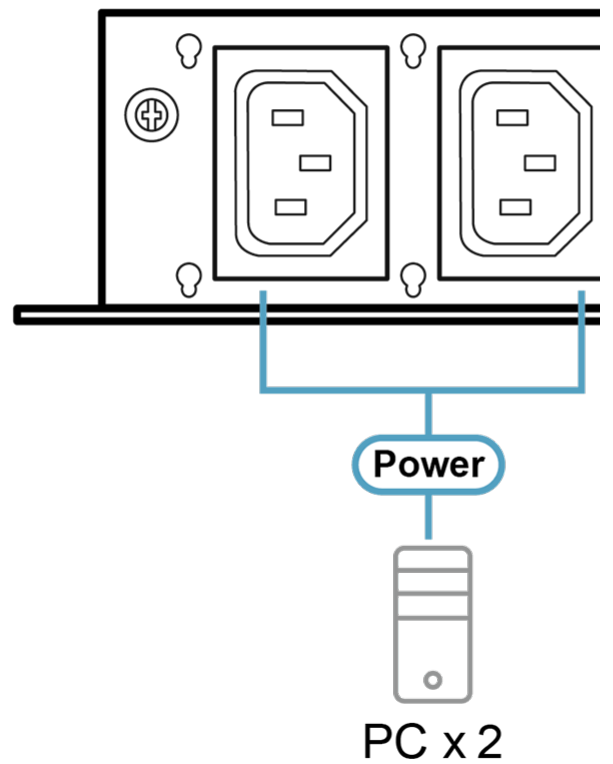
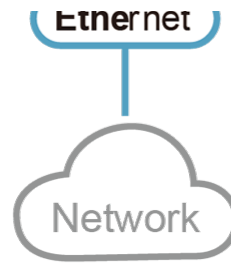
Specifications

Electrical	
Nominal Input Voltage	100-240V
Maximum Input Current	10A Max
Input Frequency	50-60 Hz
Input Connection	IEC C14
Input Power	2400VA(Max)
Outlet Type	(2) IEC C13
Nominal Output Voltage	100-240 VAC
Maximum Output Current (Outlet)	10A(Max)
Maximum Output Current (Bank)	10A(Max)
Maximum Output Current (Total)	10A(Max)
Breakers	Yes(UL1077)
Metering	No
Outlet Switching	Yes
Physical Properties	
Dimensions (L x W x H)	17.0 x 12.78 x 4.40 cm (with wall mount ear) 15.0 x 12.78 x 4.40 cm (without wall mount ear)
Weight	0.70 kg
Power Cord Length	3M
Environmental	
Temperature (Operating / Storage)	0 – 50°C / -20 – 60°C
Humidity (Operating & Storage)	0 – 80% RH, Non-Condensing
Compliance	
EMC Verification	CE-EMC
Safety Verification	CE-LVD
Note	For some of rack mount products, please note that the standard physical dimensions of WxDxH are expressed using a LxWxH format.

Diagram

Environmental Se





ATEN International Co., Ltd.

3F., No. 125, Sec. 2, Datong Rd., Sijhih District., New Taipei City 221, Taiwan
Phone: 886-2-8692-6789 Fax: 886-2-8692-6767
www.aten.com E-mail: marketing@aten.com



© Copyright 2015 ATEN® International Co., Ltd.
ATEN and the ATEN logo are trademarks of ATEN International Co., Ltd.
All rights reserved. All other trademarks are the property of their
respective owners.