

CS1308

8-Port PS/2-USB VGA KVM Switch





Effortlessly Access Multiple PCs from A Single KVM Console



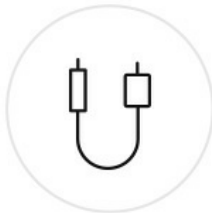
CS1308

8-Port PS/2-USB VGA KVM Switch

The CS1308 expedites access to up to 8 PCs via one set of keyboard, mouse and monitor, allowing IT staff to productively manage multiple computers all at once via easy switching. The CS1308 is also expandable and allows 8 more switches to be cascaded to enable centralized management of up to 64 PCs via one KVM console.



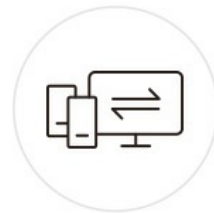
Cascadable



Hot-plugging



Rack Mountable



Video DynaSync™

One Console Cable, Two Connection Options

CS1308 offers two types of console [KVM cable](#) in different lengths for selection, allowing connection to either PS/2 or USB keyboard/mouse to flexibly accommodate installation requirements.

Support
PS/2 USB



Smooth Cross-Platform Integration

The CS1308 enables the integration of different computer systems (Windows, Mac, Linux, and Sun) that are accessible from one KVM console.



Contact Us

Get a quote for this product or get in touch with our sales experts

[Get Quote](#)

[Contact Sales](#)

Applications



Server Room



Data Center



Network Service Provider

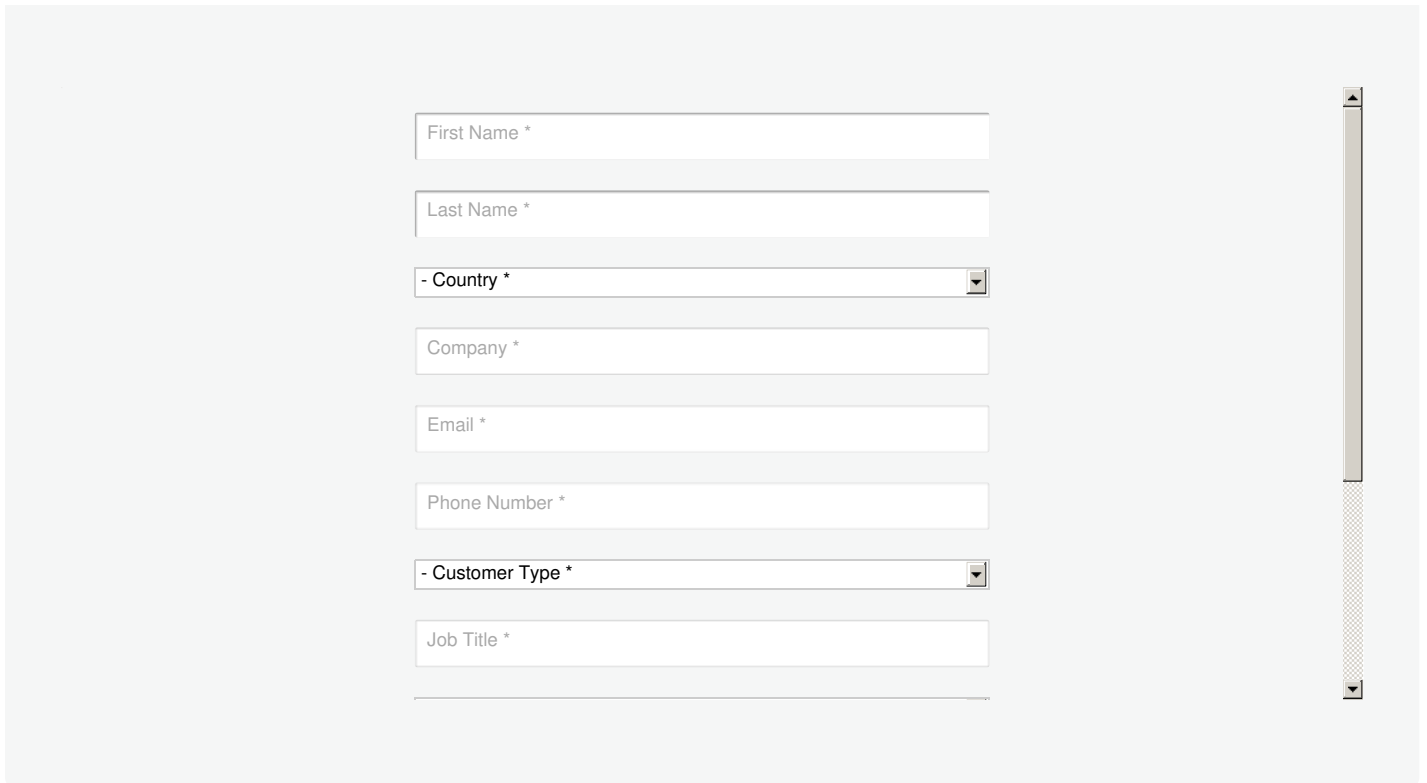


Production Line or Lab

Product Comparison

Talk to Our Experts

If you prefer to have ATEN contact you, please complete the form and a representative will be in touch with you shortly



A registration form with the following fields:

- First Name *
- Last Name *
- Country * (dropdown menu)
- Company *
- Email *
- Phone Number *
- Customer Type * (dropdown menu)
- Job Title *

Features

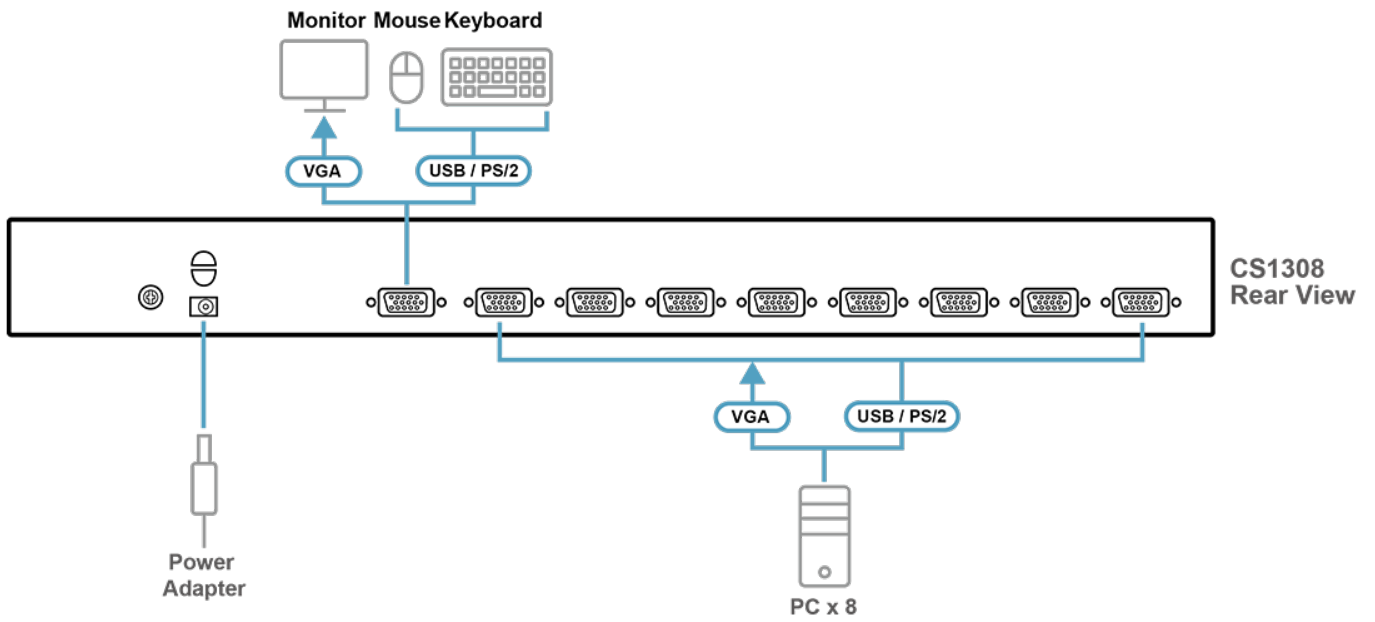
The CS1308 KVM switch allows access and control up to 64 computers from a single console (keyboard, mouse, and monitor). As many as 8 additional switches can be cascaded bringing the total number of connected computers to 64 computers that can be controlled from a single KVM console. The switch supports both USB and PS/2 connections for the console and computers.

- One USB-PS/2 console controls 8 computers
- Cascade up to 2 levels - control up to 64 computers
- Dual Interface - supports computers with PS/2 or USB keyboards and mice
- Multiplatform support - Windows 2000/XP/Vista, Linux, Mac, and Sun
- Video DynaSync™ - Exclusive ATEN technology eliminates boot-up display problems and optimizes resolution when switching between ports
- Supports USB keyboards for PC, Mac and Sun
- Auto PS/2 and USB interface detection
- USB or PS/2 keyboard and mouse emulation - computers boot even when the console focus is elsewhere
- Superior video quality - up to 2048 x 1536; DDC2B
- Computer selection via front panel pushbuttons, hotkeys and multilingual on-screen display (OSD) menu
- Two level password security - only authorized users view and control computers; up to four users and an administrator with a separate profile for each
- Auto Scan feature for monitoring user-selected computers
- Hot pluggable - add or remove computers without having to power down the switch
- Buzzer on/off via hotkey and OSD
- Firmware upgradeable
- No software installation required
- Designed for desktop or rack mount (19" system rack, 1U)

Specifications

Computer Connections	
Direct	8
Maximum	64 (via Cascade)
Port Selection	OSD, Hotkey, Pushbutton
Connectors	
Console Ports	1 x SPHD-18 Male (Yellow)
KVM Ports	8 x SPHD-18 Female (Yellow)
Firmware Upgrade	1 x RJ-11 Female (Black)
Power	1 x DC Jack
Switches	
Ports	8 x Pushbutton
Firmware Upgrade	1 x Slide
LEDs	
Online	8 (Orange)
Selected	8 (Green)
Power	1 (Dark Green)
Emulation	
Keyboard / Mouse	PS/2, USB
Video	2048 x 1536; DDC2B
Scan Interval	1 – 255 Seconds (Default: 5 secs)
Power Consumption	DC5.3V:2.34W:19BTU/h Note: ● The measurement in Watts indicates the typical power consumption of the device with no external loading. ● The measurement in BTU/h indicates the power consumption of the device when it is fully loaded.
Environmental	
Operating Temperature	0-50°C
Storage Temperature	-20-60°C
Humidity	0-80% RH, Non-condensing
Physical Properties	
Housing	Metal
Weight	1.89 kg (4.16 lb)
Dimensions (L x W x H)	43.72 x 16.13 x 4.40 cm (17.21 x 6.35 x 1.73 in.)
Note	For some of rack mount products, please note that the standard physical dimensions of WxDxH are expressed using a LxWxH format.

Diagram



ATEN International Co., Ltd.

3F., No.125, Sec. 2, Datong Rd., Sijhih District., New Taipei City 221, Taiwan
Phone: 886-2-8692-6789 Fax: 886-2-8692-6767
www.aten.com E-mail: marketing@aten.com



© Copyright 2015 ATEN® International Co., Ltd.
ATEN and the ATEN logo are trademarks of ATEN International Co., Ltd.
All rights reserved. All other trademarks are the property of their respective owners.