

CL5800

Dual Rail LCD Console (PS/2-USB, VGA)



The CL5800 is a LCD KVM console featuring an integrated 19" LED-backlit LCD panel, a full keyboard, and a touch pad in a 1U rack-mountable sliding housing.

The CL5800's LCD and keyboard/touch pad modules slide independently of each other. To maximize space in your [data center](#), the keyboard/touch pad module slides back to "hide away" when not in use, while the thin profile LCD monitor rotates back - flush against the rack - allowing convenient monitoring of computer activity.

For added convenience, ports for an external PS/2 or USB keyboard and mouse as well as a monitor are provided on the rear panel.

Note: Optional rack mount kits are available. For more information, refer to Compatible Accessories below or the link: [LCD KVM Optional Rack Mount Kit](#)

CL5800N: 19" LCD



Features

- Exclusive LED illumination light - designed by ATEN to illuminate the keyboard and touchpad to allow visibility in low-light conditions
- Integrated KVM console with a 19" LED-backlit LCD monitor in a dual rail housing with top and bottom clearance for smooth operation in a 1U high system rack
- Standard rack mount kit included
- Supports an external console* with either PS/2 or USB connectors
- Dual interface - Supports computers and KVM switches with PS/2 or USB keyboards and mice
- Additional hot-pluggable USB mouse port on front panel (also functions as USB peripheral port)
- Embedded power supply
- High video resolution:
 - Up to 1280 x 1024 @75Hz
 - Supports DDC, DDC2, DDC2B
 - DDC emulation of the LCD monitor
 - Video settings of attached computers are automatically adjusted for optimal output to the LCD monitor
- Standard 105-key keyboard; Sun keyboard emulation
- Dual rail design allows LCD monitor and keyboard/touch pad modules to operate independently
- Firmware upgradeable
- Supports Microsoft Intellimouse (5 keys)
- Supports Logitech and Microsoft wireless mice
- Optional rack mount kits available including easy installation options
- Console lock - enables the console drawer to remain securely locked away in position when not in use

* Connect to a KVM over IP solution (e.g. [CN8000A](#)) for over-the-Internet access at a remote location.

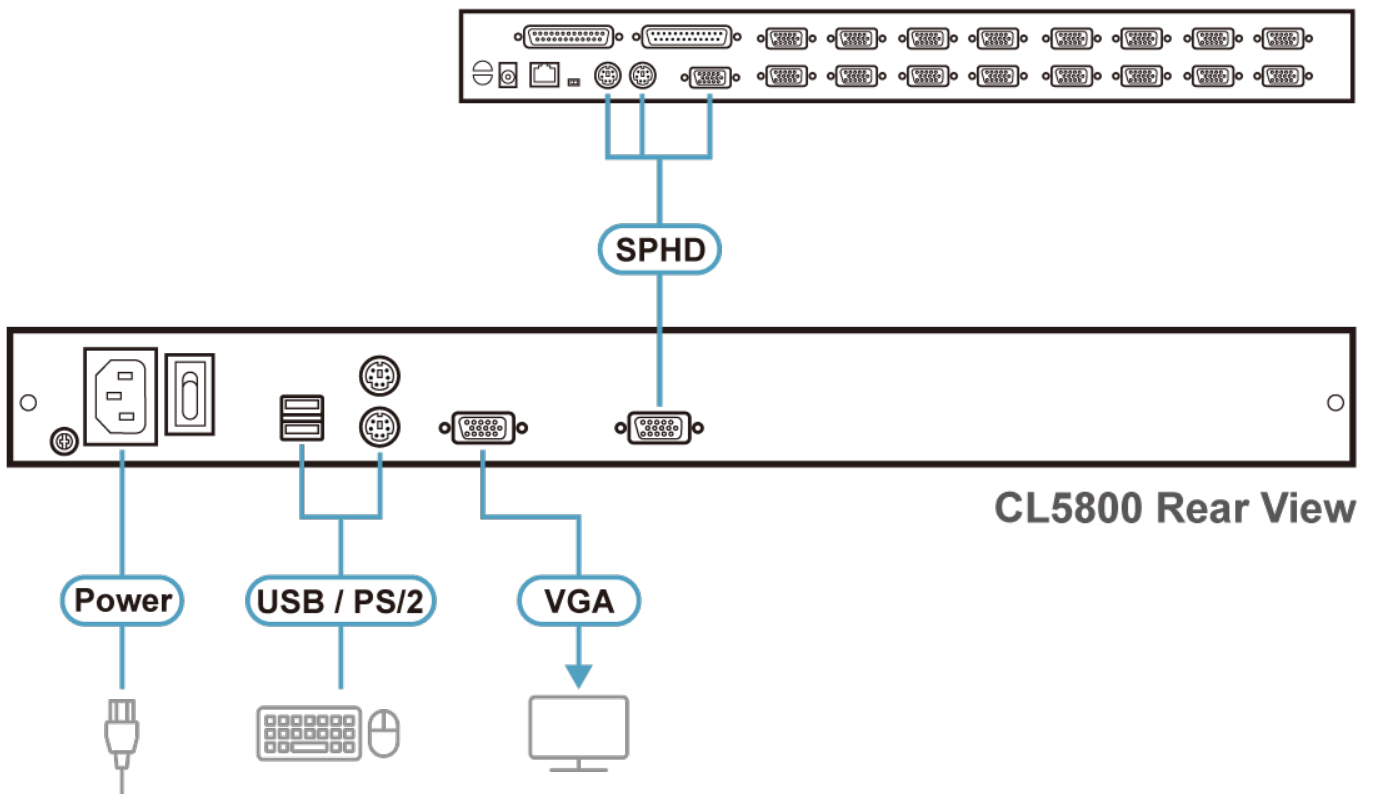
[More information about "Easy Rack Mounting"...](#)

Specifications

Function	CL5800N
Computer Connections	
Direct	1
Console Selection	Hotkey
Connectors	
KVM Ports	1 x SPHD Female (Yellow)
Firmware Upgrade	1 x RJ-11 Female
Power	1 x IEC 60320/C14
External Console Ports	1 x HDB-15 Female (Blue) 2 x USB Type A Female 1 x 6-pin Mini-DIN Female (Purple) 1 x 6-pin Mini-DIN Female (Green)
External Mouse / Peripheral	1 x USB Type A Female (Front)
Switches	
Reset	1 x Semi-recessed Pushbutton
Firmware Upgrade	1 x Slide Switch
Power	1 x Rocker Switch
LCD Control	4 x Pushbutton
LCD Power	1 x LED Pushbutton
LEDs	
Power	1 x KVM Console (Dark Green) 1 x LCD (Orange)
Lock	1 x Num Lock (Green) 1 x Caps Lock (Green) 1 x Scroll Lock (Green)
LED Illumination Light	1 x LED Illumination Light
Panel Spec	
LCD Module	19" TFT-LCD
Resolution	1280 x 1024 @ 75 Hz
Response time	5 ms
Viewing Angle	170° (H), 160° (V)
Pixel Pitch	0.294 mm x 0.294 mm
Support Color	16.7M colors
Contrast Ratio	1000:1
Luminance	250 cd/m ²
Video	
Input Video Resolution	up to 1920 x 1200 @ 60Hz; 1280 x 1024 @ 75 Hz, DDC2B
Emulation	
Keyboard / Mouse	PS/2, USB
Maximum Input Power Rating	100-240V AC; 50-60Hz; 1A
Power Consumption	AC110V:22.2W:115BTU/h AC220V:22.9W:118BTU/h Note: ● The measurement in Watts indicates the typical power consumption of the device with no external loading. ● The measurement in BTU/h indicates the power consumption of the device when it is fully loaded.

Environmental	
Operating Temperature	0–50°C
Storage Temperature	-20–60°C
Humidity	0–80% RH, Non-condensing
Physical Properties	
Housing	Metal
Rail Type	Dual Rail
Weight	14.27 kg (31.43 lb)
Dimensions (L x W x H)	48.00 x 68.04 x 4.40 cm (18.9 x 26.79 x 1.73 in.)
Note	For some of rack mount products, please note that the standard physical dimensions of WxDxH are expressed using a LxWxH format.

Diagram





Simply Better Connections

ATEN International Co., Ltd.

3F., No.125, Sec. 2, Datong Rd., Sijhih District., New Taipei City 221, Taiwan
Phone: 886-2-8692-6789 Fax: 886-2-8692-6767
www.aten.com E-mail: marketing@aten.com



© Copyright 2015 ATEN® International Co., Ltd.
ATEN and the ATEN logo are trademarks of ATEN International Co., Ltd.
All rights reserved. All other trademarks are the property of their
respective owners.