

CL5708I

1-Local/Remote Shared Access 8-Port PS/2-USB VGA Single Rail LCD KVM over IP switch



The CL5708I Slideaway™ [LCD KVM Switch](#) is a control unit that allows access to multiple computers from a single PS/2 or USB KVM (keyboard, video, and mouse) console. A single CL5708I can control up to 8 computers. Up to 15 additional KVM switches can be daisy-chained to the CL5708I, so that up to 128 computers can all be controlled from a single KVM console.

The CL5708I [LCD KVM Switch](#) is an IP-based KVM control unit that allows both local and remote operators to monitor and access multiple computers. Remote users access the switches over the Internet by means of a web browser using TCP / IP for its remote communications protocol. The CL5708I supports up to 32 concurrent user logins for a single-bus computer access. A built-in feature that resembles an Internet chat program - the Message Board - lets them communicate with each other. The ability to exchange information in real time allows them to cooperatively manage the installation in a smooth and efficient manner.

The CL5708I offers a [space-saving](#), streamlined approach to KVM switch technology by integrating a keyboard, 17" or 19" LED-backlit LCD monitor, and touchpad in a 1U rack-mountable sliding housing. In addition, since the CL5708I is built on a modular design, the KVM section can be detached from the switch section for convenient maintenance and repair.

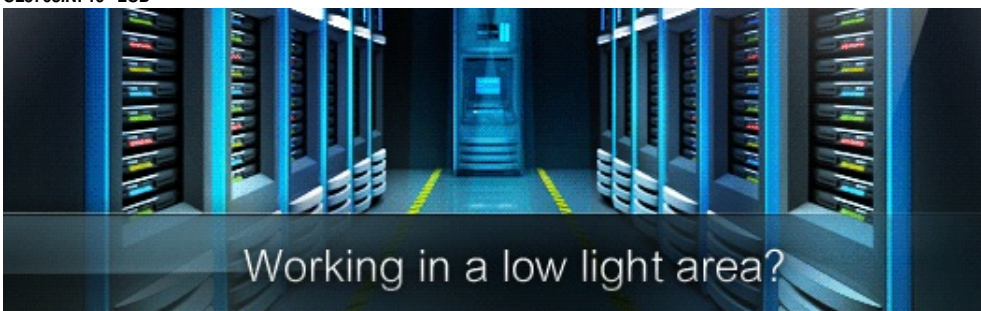
Among CL5708I's other outstanding features, the [Panel Array Mode](#) provides the ability to monitor the video output of the servers on the installation; while the Mouse DynaSync™ feature automatically synchronizes the local and remote mouse pointer movements for perfect alignment regardless of what the mouse acceleration settings on the server are.

The CL5708I supports the highest security protocols, such as TLS 1.2 encryption for the browser, and RC4 encryption for secure keyboard, mouse, and video data transmission. For easier and more efficient user management integration, the CL5708I also supports authentication and authorization via 3rd party authorized servers, such as RADIUS, LDAP, LDAPS, and MS Active Directory.

Note: Optional rack mount kits are available. For more information, refer to Compatible Accessories below or the link: [LCD KVM Optional Rack Mount Kit](#)

CL5708IM: 17" LCD

CL5708IN: 19" LCD



Features

Hardware

- Exclusive LED illumination light - designed by ATEN to illuminate the keyboard and touchpad to allow visibility in low-light conditions
- Integrated KVM console with 17" or 19" LED-backlit LCD monitor in a Slideaway™ housing
- Space saving technology - up to two consoles (one bus) control up to 8 computers
- Daisy chain up to 15 additional units – control up to 128 computers from a single console (With compatible KVM Switches: A [CS1208A](#), [CS1708A](#), [CS1716A](#))
- Extra console port – manage computers from an external console (VGA monitor, USB or PS/2 keyboard and mouse)
- Superior video quality - up to 1280 x 1024 @75 Hz; DDC2B for the local console; up to 1920 x 1200 @ 60Hz / 24 bit color depth for remote sessions
- Dual Interface - supports computers and console with PS/2 or USB keyboards and mice
- LCD module USB port allows connected computers to access USB peripherals*
- Auto-sensing of station's position on daisy chained installations; no need for manual dip switch setting; front panel LED indicates station's position
- Hot pluggable - add or remove computers without having to power down the switch
- Keyboard and mouse emulation (PS/2 and USB) for smooth switching and simultaneous booting of multiple computers even when the console focus is elsewhere
- Supports multimedia USB keyboards for Windows, Mac and Sun
- Supports external USB mouse
- Video DynaSync™ - stores the console monitor's EDID (Extended Display Identification Data) to optimize display resolution
- Rack mountable in a 1U system rack
- Optional rack mount kits available including easy installation options
- LCD module rotates up to 120 degrees for a more comfortable viewing angle

Note: The USB peripheral function only works with USB cable set connections. It will not work with PS/2 cable set connections.

Management

- Convenient computer selection via front panel pushbuttons, hotkeys and multi-lingual on-screen display (OSD) menus
- Up to 32 concurrent logins
- Multi-language web UI support featuring a tree-structured local and remote OSD
- Adjustable video quality for flexible adaptation to diverse network environments
- Auto Scan mode enables continuous monitoring of user-selected computers
- Broadcast mode: operations from the keyboard can be simultaneously performed on all selected computers on the installation (software installation, system-wide shutdown, etc.)
- Firmware upgrades to all the daisy-chained KVM switches ([CS1708A](#), [CS1716A](#)) at the same time via the daisy-chain cable
- Integration with [CC2000](#) Centralized Management Software
- Backup and restore configuration and user account settings
- Event logging
- IPv6 capable

Ease-to-Use Interface

- Browser-based and AP GUIs, together with a menu-driven OSD for the local console, provide a powerful, intuitive, user-friendly, multi-language interface to minimize user training time and increase productivity
- Multiplatform support - Windows, Linux, Mac, and Sun
- Multi-browser support (IE, Firefox, Safari, Opera, Edge)
- Panel array mode enables user to monitor multiple servers from single screen at the same time - each selected server's video output appears in a separate panel - users can easily select the number of panels to view
- WinClient and JavaClient software support; JavaClient works with all operating systems
- Beeper on / off via hotkey and OSD
- Keyboard Language support: English (US), English (UK), French, German, German (Swiss), Greek, Hungarian, Italian, Japanese, Korean, Russian, Spanish, Swedish, Traditional Chinese and Turkish

Advanced Security

- Flexible encryption design allows users to choose any combination of DES, 3DES, AES, RC4, or Random for independent Keyboard / Mouse and video data encryption
- Supports TLS 1.2 data encryption and RSA 2048 bit certificates for secure user logins from a browser
- Two level password security - only authorized users can view and control computers; up to 64 user accounts with separate profiles for each
- External (Remote) authentication support: RADIUS, LDAP, LDAPS, MS Active Directory
- Support for IP / MAC Filter
- Local and remote access logged and authenticated

Virtual Remote Desktop

- Resizable remote desktop window
- Message board allows logged-in users to communicate with each other, and allows a user to take exclusive control of the KVM functions
- Mouse DynaSync™
- On-screen keyboard with multi-language support
- BIOS-level access

[More information about "Easy Rack Mounting"...](#)

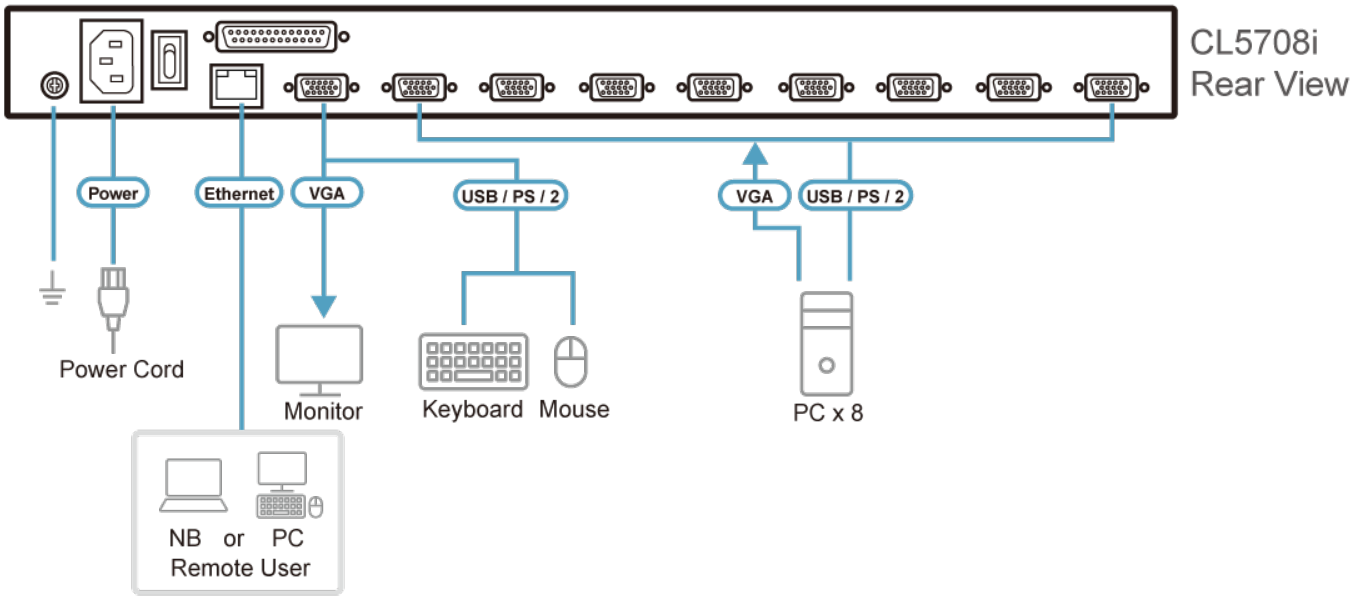
Specifications

Function	CL5708IM	CL5708IN
Console Connections		
Local	1 (Share Remote Bus)	1 (Share Remote Bus)
Remote	1	1
Computer Connections		

Direct	8	8
Maximum	128 (via Daisy-chain)	128 (via Daisy-chain)
Port Selection	OSD, Hotkey, Pushbutton	OSD, Hotkey, Pushbutton
Connectors		
External Console Ports	1 x SPHD Male (Yellow)	1 x SPHD Male (Yellow)
External Mouse Port	1 x USB Type-A Female	1 x USB Type-A Female
USB Port	1 x USB Type-A Female	1 x USB Type-A Female
KVM Ports	8 x SPHD Female	8 x SPHD Female
Daisy Chain Ports	1 x DB-25 Male	1 x DB-25 Male
Firmware Upgrade	1 x RJ-11 Female	1 x RJ-11 Female
LAN Ports	1 x RJ-45 Female	1 x RJ-45 Female
Power	1 x IEC 60320/C14	1 x IEC 60320/C14
Switches		
Port Selection	2 x Pushbuttons	2 x Pushbuttons
Station Selection	2 x Pushbuttons	2 x Pushbuttons
Reset	1 x Semi-recessed Pushbutton	1 x Semi-recessed Pushbutton
Firmware Upgrade	1 x Switch	1 x Switch
Power	1 x Rocker Switch	1 x Rocker Switch
LCD On/Off	1 x LED Pushbutton (Orange)	1 x LED Pushbutton (Orange)
LCD Adjustment	4 x Pushbuttons	4 x Pushbuttons
LEDs		
Online	8 x (Orange)	8 x (Orange)
Port ID	1 x 2-digit, 7-segment (Yellow)	1 x 2-digit, 7-segment (Yellow)
Station ID	1 x 2-digit, 7-segment (Yellow)	1 x 2-digit, 7-segment (Yellow)
10/100 Mbps	1 x (Orange/Green)	1 x (Orange/Green)
Power	1 x (Dark Green)	1 x (Dark Green)
Lock	1 x Num Lock (Green) 1 x Caps Lock (Green) 1 x Scroll Lock (Green)	1 x Num Lock (Green) 1 x Caps Lock (Green) 1 x Scroll Lock (Green)
Video		
Remote	1920 x 1200 @60 Hz	1920 x 1200 @60 Hz
Panel Spec		
LCD Module	17" TFT-LCD	19" TFT-LCD
Resolution	1280 x 1024 @75 Hz	1280 x 1024 @75 Hz
Pixel Pitch	0.264 mm x 0.264 mm	0.294 mm x 0.294 mm
Response time	5 ms	5 ms
Viewing Angle	170° (H), 160° (V)	170° (H), 160° (V)
Support Color	16.7M colors	16.7M colors
Contrast Ratio	1000:1	1000:1
Luminance	250 cd/m ²	250 cd/m ²
Emulation		

Keyboard / Mouse	PS/2, USB	PS/2, USB
Scan Interval	1-255 sec.	1-255 sec.
Maximum Input Power Rating	100-240V AC, 50-60Hz, 1A	100-240 VAC, 50-60Hz, 1A
Power Consumption	AC110V:26.8W:138BTU/h AC220V:27.7W:143BTU/h Note: ● The measurement in Watts indicates the typical power consumption of the device with no external loading. ● The measurement in BTU/h indicates the power consumption of the device when it is fully loaded.	AC110V:29W:149BTU/h AC220V:29.8W:153BTU/h Note: ● The measurement in Watts indicates the typical power consumption of the device with no external loading. ● The measurement in BTU/h indicates the power consumption of the device when it is fully loaded.
Environmental		
Operating Temperature	0-50°C	0-50°C
Storage Temperature	-20-60°C	-20-60°C
Humidity	0-80% RH, Non-condensing	0-80% RH, Non-condensing
Physical Properties		
Housing	Metal + Plastic	Metal + Plastic
Weight	13.49 kg (29.71 lb)	13.41 kg (29.54 lb)
Dimensions (L x W x H)	48.00 x 64.27 x 4.40 cm (18.9 x 25.3 x 1.73 in.)	48.00 x 68.92 x 4.40 cm (18.9 x 27.13 x 1.73 in.)
Note	For some of rack mount products, please note that the standard physical dimensions of WxDxH are expressed using a LxWxH format.	

Diagram



ATEN International Co., Ltd.

3F., No.125, Sec. 2, Datong Rd., Sijhih District., New Taipei City 221, Taiwan
 Phone: 886-2-8692-6789 Fax: 886-2-8692-6767
 www.aten.com E-mail: marketing@aten.com



© Copyright 2015 ATEN® International Co., Ltd.
 ATEN and the ATEN logo are trademarks of ATEN International Co., Ltd.
 All rights reserved. All other trademarks are the property of their respective owners.