

CL3100

Ultra Short Depth Single Rail WideScreen LCD Console (USB,VGA)



The CL3100 USB VGA LCD Console is a [short depth](#) single rail LCD KVM console featuring an 18.5" LED-backlit widescreen LCD monitor with an integrated keyboard and touchpad. The short-depth design fits all 19" equipment cabinets, and is especially suitable for [shallow racks](#). The CL3100 provides an ideal [space-saving](#) solution for special environments such as outside broadcast vans (OB vans) and compact control rooms.

The CL3100 is a dedicated front end sliding console for compatible VGA KVM switches. For added convenience, users can choose to manage the computer from an external console. The CL3100 features a port for an external USB mouse on the unit's front panel, while ports for the second KVM console (USB keyboard/mouse and VGA monitor) are provided on the rear panel. The CL3100 also includes two mini stereo ports for connecting audio speakers.

With a rich feature set, the CL3100 is designed to exceed the requirements for space utility optimization, adaptive deployment, and operational versatility, and is ideal for applications such as mobile live streaming in the broadcasting sector or control rooms with limited space in any industry.

Note: Optional rack mount kits are available. For more information, refer to Compatible Accessories below.

How to install Ultra [Short Depth](#) LCD consoles with ATEN 2-in-1U mounting kit?

Features

• **Space Utility Optimization**

- Exclusive LED illumination light – designed by ATEN to illuminate the keyboard and touchpad to allow visibility in low-light conditions
- Integrated LCD KVM console with an 18.5" LED-backlit widescreen LCD monitor in a single rail housing with top and bottom clearance for smooth operation in a 1U high system rack
- Short-depth design allows you to work with your rack-mounting equipment in narrow spaces
- Console lock – enables the console drawer to remain securely locked away in position when not in use
- Optional 2-in-1U Mounting Kit ([2K-0001/2K-0002/2K-0007](#)) – fitting the CL3100 and a rack KVM switch/KVM over IP switch in 1U of space on a rack for [space-saving](#), easy and flexible operation*

• **Reliability and Operational Versatility**

- Supports VGA video input; supports an external console with USB / VGA connectors
- 18.5" LCD screen with resolution of 1366 x 768 @ 60Hz
- External console supports input video resolutions up to 1920 x 1200 @ 60Hz
- Audio support for connecting speakers
- Additional hot-pluggable USB mouse port on front panel (also functions as a USB peripheral port)
- Console selection via hotkey
- Standard 105-key keyboard

• **Installation Flexibility**

- Standard rack mount kit included
- Optional rack mount kits available including easy installation options*
- No software required
- Firmware upgradable
- Supports hot-plugging

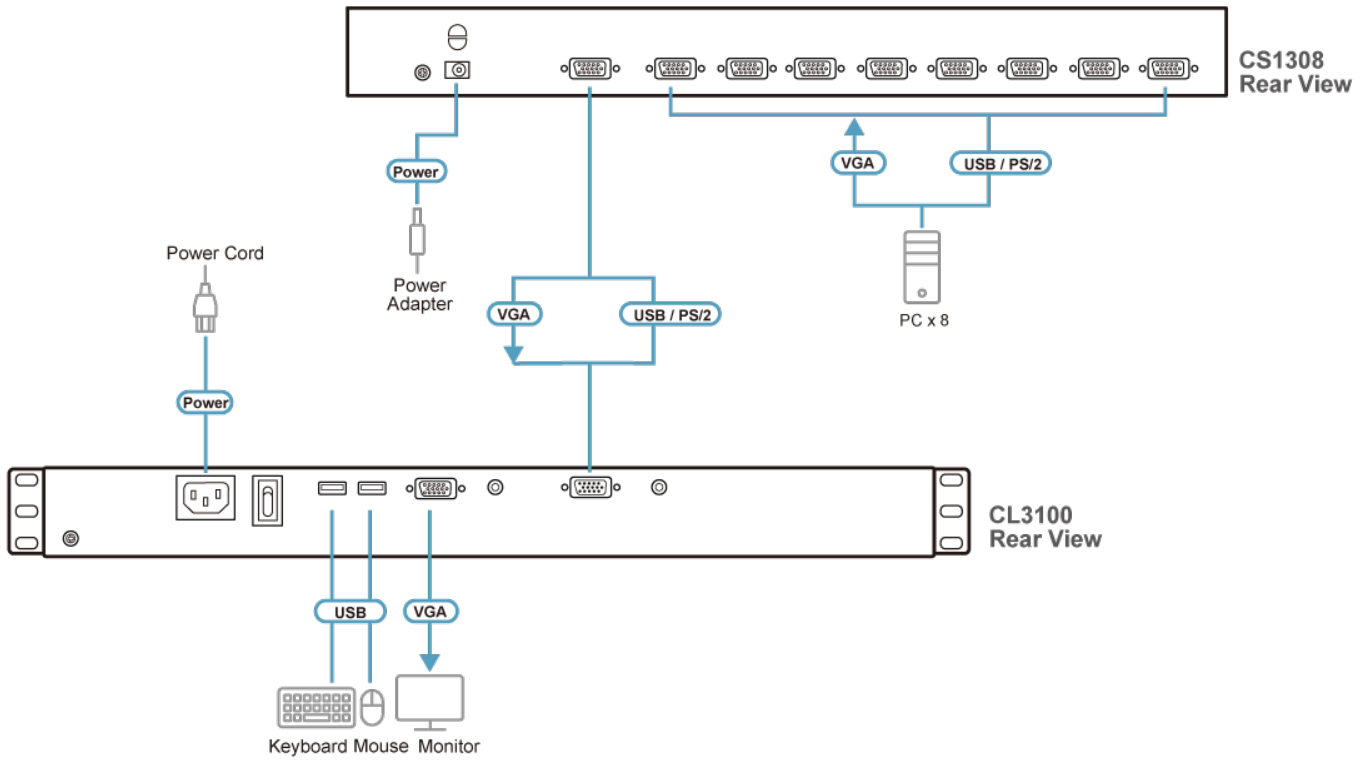
[More information about "Easy Rack Mounting"...](#)

Specifications

| | |
|-----------------------------|--|
| Function | CL3100NX |
| Computer Connections | |
| Direct | 1 |
| Console Selection | Hotkey |
| Connectors | |
| KVM Ports | 1 x SPHD Female (Yellow) 1 x 3.5mm Audio Jack Female (Green) |
| Firmware Upgrade | 1 x 3.5mm Audio Jack Female (Black) |
| Power | 1 x IEC 60320/C14 |
| External Console Ports | 1 x HDB-15 Female (Blue) 2 x USB Type A Female 1 x 3.5mm Audio Jack Female (Green) |
| External Mouse / Peripheral | 1 x USB Type A Female (Front) |
| Switches | |
| Reset | 1 x Semi-recessed Pushbutton |
| Firmware Upgrade | 1 x Slide Switch |
| Power | 1 x Rocker Switch |
| LCD Control | 4 x Pushbutton |
| LCD Power | 1 x LED Pushbutton |
| LEDs | |
| Power | 1 x KVM Console (Dark Green) 1 x LCD (Orange) |
| Lock | 1 x Num Lock (Green) 1 x Caps Lock (Green) 1 x Scroll Lock (Green) |
| LED Illumination Light | 1 x LED Illumination Light |

| | |
|----------------------------|--|
| Panel Spec | |
| LCD Module | 18.5" TFT-LCD |
| Resolution | 1366 x 768 @ 60Hz |
| Response time | 5 ms |
| Viewing Angle | 170° (H), 160° (V) |
| Pixel Pitch | 0.3 mm x 0.3 mm |
| Support Color | 16.77M colors |
| Contrast Ratio | 1000 : 1 |
| Luminance | 450 cd/m ² |
| Video | |
| Input Video Resolution | up to 1920 x 1200 @ 60Hz; 1366 x 768 @ 60 Hz, DDC2B |
| Emulation | |
| Keyboard / Mouse | USB |
| Maximum Input Power Rating | 100–240 V AC, 50/60 Hz, 1 A |
| Power Consumption | AC110:13.8W:80BTU/h AC220:14.1W:81BTU/h Note: <ul style="list-style-type: none"> • The measurement in Watts indicates the typical power consumption of the device with no external loading. • The measurement in BTU/h indicates the power consumption of the device when it is fully loaded. |
| Environmental | |
| Operating Temperature | 0–40°C |
| Storage Temperature | -20–60°C |
| Humidity | 0–80% RH, Non-condensing |
| Physical Properties | |
| Housing | Metal + Plastic |
| Rail Type | Single Rail |
| Weight | 9.07 kg (19.98 lb) |
| Dimensions (L x W x H) | 48.06 x 47.70 x 4.28 cm (18.92 x 18.78 x 1.69 in.) |
| Body Dimensions(L x W x H) | 44.92 x 43.00 x 4.28 cm |
| Note | Body Dimensions exclude I/O ports, handles, and mounting brackets. |
| Note | For some of rack mount products, please note that the standard physical dimensions of WxDxH are expressed using a LxWxH format. |

Diagram



ATEN International Co., Ltd.

3F., No.125, Sec. 2, Datong Rd., Sijhih District., New Taipei City 221, Taiwan
 Phone: 886-2-8692-6789 Fax: 886-2-8692-6767
 www.aten.com E-mail: marketing@aten.com



© Copyright 2015 ATEN® International Co., Ltd.
 ATEN and the ATEN logo are trademarks of ATEN International Co., Ltd.
 All rights reserved. All other trademarks are the property of their respective owners.