

CL1000

Single Rail LCD Console (PS/2-USB, VGA)



The CL1000 is a LCD KVM console that serves as the front-end for standard KVM switches. The CL1000 features an integrated 17" or 19" LED-backlit LCD panel, full keyboard, and touchpad in a 1U, rack-mountable, Slideaway™ housing.

Users who already have a switch can take advantage of the space saving and efficiency benefits of the CL1000 LCD KVM console without the unnecessary expense of having to purchase a KVM switch. This model provides convenient 'at the rack' console access to KVM switches already installed at your site.

Note: Optional rack mount kits are available. For more information, refer to Compatible Accessories below.

CL1000M: 17" LCD
CL1000N: 19" LCD



Features

- Exclusive LED illumination light - designed by ATEN to illuminate the keyboard and touchpad to allow visibility in low-light conditions
- Integrated KVM console with 17" or 19" LED-backlit LCD monitor – in a sliding housing with top and bottom clearance for smooth operation in a 1U high system rack*
- LCD module rotates up to 120 degrees for a more comfortable viewing angle
- Slideaway™ housing is less than 1U – with top and bottom clearance for smooth operation in a 1U high system rack
- Compatible with PS/2 or USB KVM switches when they are connected using custom [KVM cables](#) or converters¹
- Internal power supply
- Adjustable depth to fit within a rack
- High video resolution:
 - Supports input video resolutions up to 1920 x 1200 @ 60 Hz; and up to 1280 x 1024 @ 75 Hz with the built-in LCD screen
 - Supports DDC, DDC2, DDC2B
 - DDC emulation of the LCD monitor–Video settings of attached computers are automatically adjusted for optimal output to the LCD monitor
- Optional rack mount kits available including easy installation options²

Note:

1. For more information, refer to Compatible Cables below.
2. Contact your ATEN dealer for product information.

* Compatible rack mounting kit:

CL1000M: [2X-010G](#), [2K-0003](#), [2K-0004](#)

CL1000N: [2X-023G](#), [2K-0003](#), [2K-0004](#)

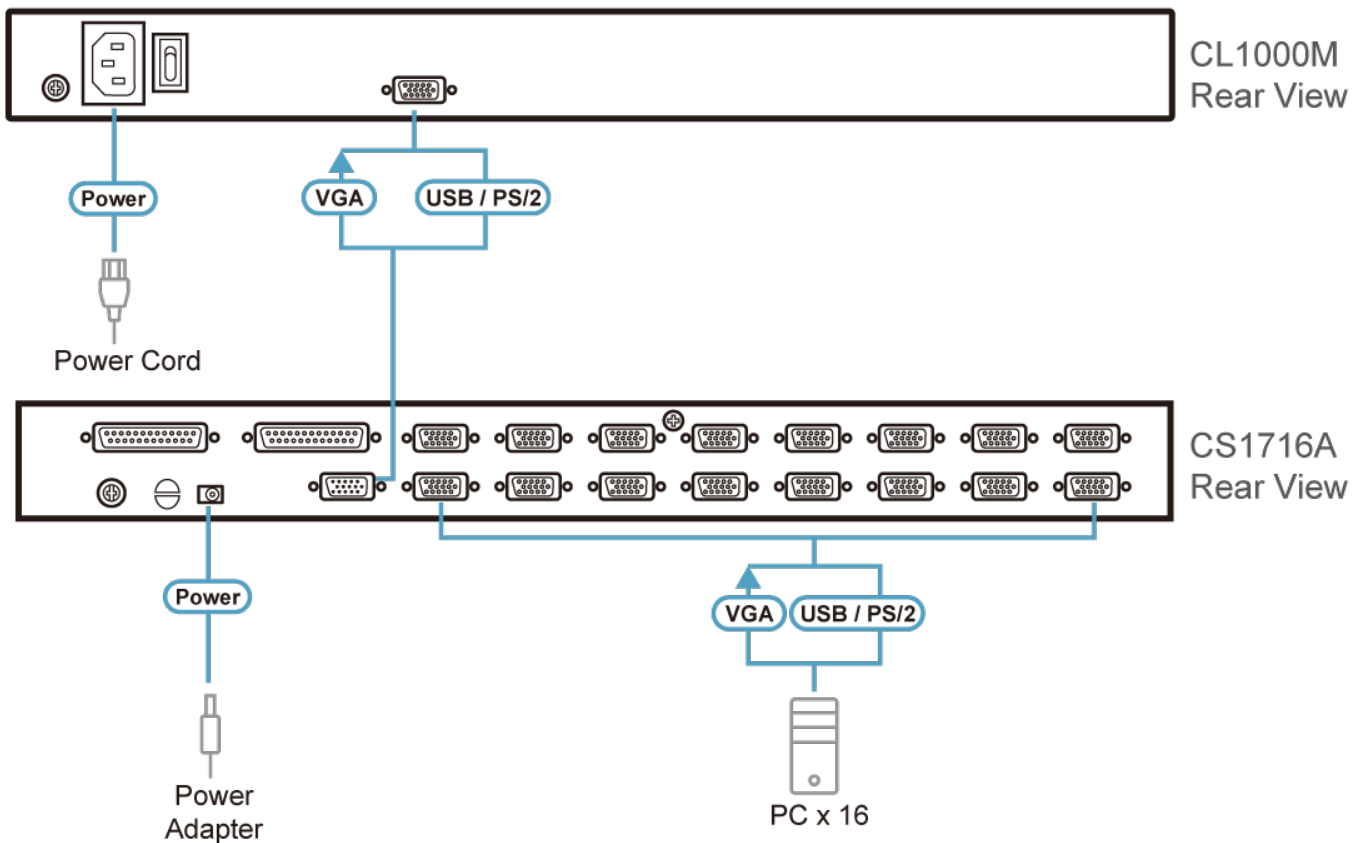
[More information about "Easy Rack Mounting"...](#)

Specifications

| Function | CL1000M | CL1000N |
|----------------------------|---|--|
| Computer Connections | | |
| Direct | 1 | 1 |
| Connectors | | |
| KVM Ports | 1 x SPHD Female (Yellow) | 1 x SPHD Female (Yellow) |
| Power | 1 x IEC 60320/C14 | 1 x IEC 60320/C14 |
| Switches | | |
| Reset | 1 x Semi-recessed Pushbutton | N/A |
| Power | 1 x Rocker Switch | N/A |
| LCD Control | 4 x Pushbutton | 4 x Pushbutton |
| LCD Power | N/A | 1 x LED Pushbutton |
| LEDs | | |
| Power | 1 x KVM Console (Dark Green) 1 x LCD (Orange) | 1 x KVM Console (Dark Green) 1 x LCD (Orange) |
| Lock | 1 x Num Lock (Green) 1 x Caps Lock (Green) 1 x Scroll Lock (Green) | 1 x Num Lock (Green) 1 x Caps Lock (Green) 1 x Scroll Lock (Green) |
| LED Illumination Light | 1 x LED Illumination Light | 1 x LED Illumination Light |
| Panel Spec | | |
| LCD Module | 17" TFT-LCD | 19" TFT-LCD |
| Resolution | 1280 x 1024 @ 75 Hz | 1280 x 1024 @ 75 Hz |
| Response time | 5 ms | 5 ms |
| Viewing Angle | 170° (H), 160° (V) | 170° (H), 160° (V) |
| Pixel Pitch | 0.264 mm x 0.264 mm | 0.294 mm x 0.294 mm |
| Support Color | 16.7M colors | 16.7M colors |
| Contrast Ratio | 1000:1 | 1000:1 |
| Luminance | 250 cd/m ² | 250 cd/m ² |
| Video | | |
| Input Video Resolution | up to 1920 x 1200 @ 60Hz; 1280 x 1024 @ 75 Hz, DDC2B | up to 1920 x 1200 @ 60Hz; 1280 x 1024 @ 75 Hz, DDC2B |
| Emulation | | |
| Keyboard / Mouse | PS/2, USB(via 2L-520xUP cables) | PS/2, USB(via 2L-520xUP cables) |
| Maximum Input Power Rating | 100-240 VAC; 50-60 Hz; 1A | 100-240 VAC; 50-60 Hz; 1A |
| Power Consumption | AC110V:19.6W:92BTU/h AC220V:21.3W:100BTU/h Note: ● The measurement in Watts indicates the typical power consumption of the device with no external loading. ● The measurement in BTU/h indicates the power consumption of the device when it is fully loaded. | AC110V:29.2W:137BTU/h AC220V:29.3W:137BTU/h Note: ● The measurement in Watts indicates the typical power consumption of the device with no external loading. ● The measurement in BTU/h indicates the power consumption of the device when it is fully loaded. |
| Environmental | | |
| Operating Temperature | 0-50°C | 0-50°C |
| Storage Temperature | -20-60°C | -20-60°C |
| Humidity | 0-80% RH, Non-condensing | 0-80% RH, Non-condensing |

| Physical Properties | | |
|------------------------|---|---|
| Housing | Metal+Plastic | Metal+Plastic |
| Rail Type | Single Rail | Single Rail |
| Weight | 12.02 kg (26.48 lb) | 11.06 kg (24.36 lb) |
| Dimensions (L x W x H) | 48.00 x 53.83 x 4.40 cm (18.9 x 21.19 x 1.73 in.) | 48.30 x 58.52 x 4.40 cm (19.02 x 23.04 x 1.73 in.) |
| Note | For some of rack mount products, please note that the standard physical dimensions of WxDxH are expressed using a LxWxH format. | |

Diagram



ATEN International Co., Ltd.

3F, No. 125, Sec. 2, Datong Rd., Sijhih District., New Taipei City 221, Taiwan
 Phone: 886-2-8692-6789 Fax: 886-2-8692-6767
 www.aten.com E-mail: marketing@aten.com

© Copyright 2015 ATEN® International Co., Ltd.
 ATEN and the ATEN logo are trademarks of ATEN International Co., Ltd.
 All rights reserved. All other trademarks are the property of their respective owners.