

CS1942DP

2-Port USB 3.0 4K DisplayPort Dual Display KVMP™ Switch



The ATEN CS1942DP desktop KVM switch helps organize your desktop. Especially when managing a multimedia workstation at a large organization, CS1942DP provides you with instant access to two or four computers, all through a single USB keyboard, USB mouse and two DisplayPort monitors.

Advanced video support provides a better-defined DisplayPort connection with video resolutions up to 4K (4096 x 2160 / 3840 x 2160 @ 60 Hz). Incorporating dual display capability, you are allowed to enjoy a wider screen and easily switch between two or four DisplayPort systems. In addition, featuring a built-in USB 3.1 Gen 1 hub, the CS1942DP delivers unprecedented data transfer rates up to 5 Gbps, allowing you to maximize multimedia operations.

Engineered to meet the ever-increasing demand for dual display, ultra-fast data transmission rates, and lossless 4K video resolution, the CS1942DP is specifically designed for where multitasking is needed such as design, financial trading, and video post production.

Note:

As is common with DisplayPort KVM switches, switching between KVM ports in an Extended Desktop setup may cause windows open on the extended desktop to be resized/repositioned back to a default configuration on the main display. This is due to the nature of the DisplayPort protocol and may require a manual readjustment.



Features

- One USB keyboard and mouse controls two DisplayPort computers and share two USB peripherals
- Supports Quad Display by connecting two Dual Display KVM switches
- Supports superior video quality – Up to 4K (4096 x 2160 / 3840 x 2160 @ 60 Hz)
- Computer Selection via front panel, hotkeys, mouse, and RS-232 commands
- 2-Port USB 3.1 Gen 1 hub with SuperSpeed 5 Gbps data transfer rates
- Supports DisplayPort Dual-Mode technology (DP++)¹
- Supports [MST \(Multi-Stream Transport\)](#)²
- Supports Console keyboard emulation / bypass feature
- Supports Console mouse emulation / bypass feature
- Independent switching of KVM, USB, and Audio
- Multilingual keyboard mapping – supports English, French, Japanese, and German keyboards
- DisplayPort 1.2 compliant; HDCP compliant³
- Supports HD audio⁴
- Power on detection
- Firmware upgradable

Note:

1. DisplayPort Dual-Mode technology (DP++) does not require an active adapter for most single display setups. Active DisplayPort adapters are recommended if you are unsure of the video source's DP++ compatibility.

2. MST ([Multi-Stream Transport](#)) requires either monitors that are capable of [DisplayPort 1.2](#) daisy-chaining, or use of a powered DisplayPort [MST](#) Hub. A DisplayPort v1.1a display can be the last display in a DisplayPort v1.2 chain. The PC source must be [DisplayPort 1.2](#) compliant

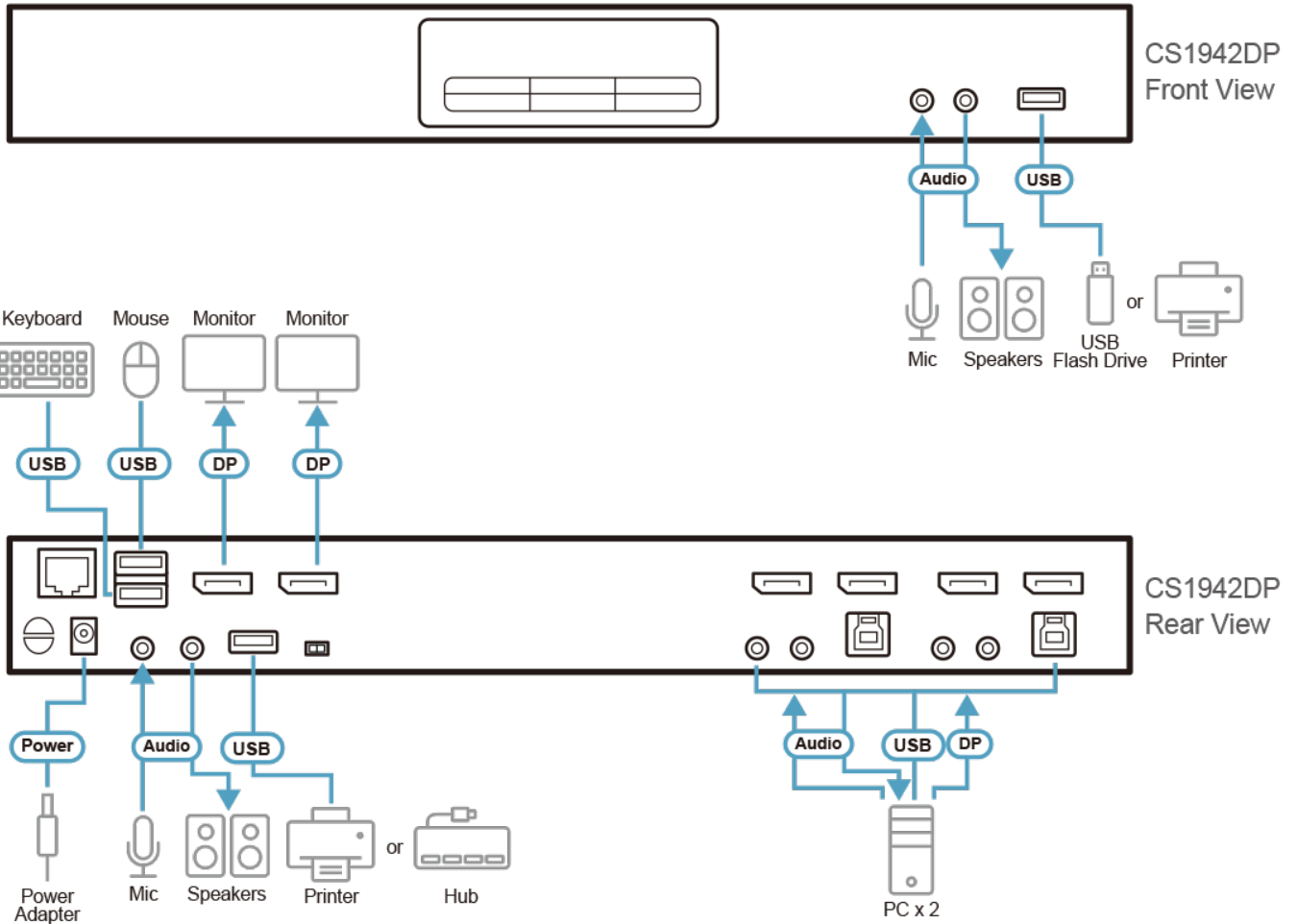
3. For DisplayPort 1.4 compliant display device, make sure to configure the device setting to be compatible with [DisplayPort 1.2](#) to avoid compatibility issue.

4. HD audio through DisplayPort cannot be switched independently

Specifications

Computer Connections	2
Port Selection	Hotkey, Pushbutton, Mouse, RS-232 Commands
Connectors	
Console Ports	2 x USB Type A Female 2 x DisplayPort Female (Black) 2 x 3.5mm Audio Jack Female (Green; 1 x front, 1 x rear) 2 x 3.5mm Audio Jack Female (Pink; 1 x front, 1 x rear)
KVM (Computer) Ports	2 x USB3.1 Gen1 Type B Female (Blue) 4 x DisplayPort Female (Black) 2 x 3.5mm Audio Jack Female (Green) 2 x 3.5mm Audio Jack Female (Pink)
Daisy Chain Ports	1 x RJ-45 Female
Power	1 x DC Jack
USB Hub	2 x USB3.1 Gen1 Type A Female (Blue; 1 x front; 1 x rear)
LEDs	
KVM	3 (Orange)
Audio	3 (Green)
USB Link	3 (Green)
Switches	
Selected	3 x Pushbutton
Station Selection	1 x Slide Switch
Emulation	
Keyboard / Mouse	USB
Video	Up to 4096 x 2160 @ 60Hz, 2560 x 1440 @ 144Hz
Scan Interval	1-99 seconds (default: 5 seconds)
Power Consumption	DC12V:3.48W:73BTU/h Note: ● The measurement in Watts indicates the typical power consumption of the device with no external loading. ● The measurement in BTU/h indicates the power consumption of the device when it is fully loaded.
Environmental	
Operating Temperature	0–50°C
Storage Temperature	-20–60°C
Humidity	0-80% RH, Non-condensing
Physical Properties	
Housing	Metal
Weight	1.54 kg (3.39 lb)
Dimensions (L x W x H)	33.50 x 15.66 x 4.40 cm (13.19 x 6.17 x 1.73 in.)
Note	For some of rack mount products, please note that the standard physical dimensions of WxDxH are expressed using a LxWxH format.

Diagram



ATEN International Co., Ltd.

3F., No.125, Sec. 2, Datong Rd., Sijhih District., New Taipei City 221, Taiwan
 Phone: 886-2-8692-6789 Fax: 886-2-8692-6767
 www.aten.com E-mail: marketing@aten.com



© Copyright 2015 ATEN® International Co., Ltd.
 ATEN and the ATEN logo are trademarks of ATEN International Co., Ltd.
 All rights reserved. All other trademarks are the property of their respective owners.