

CS1844

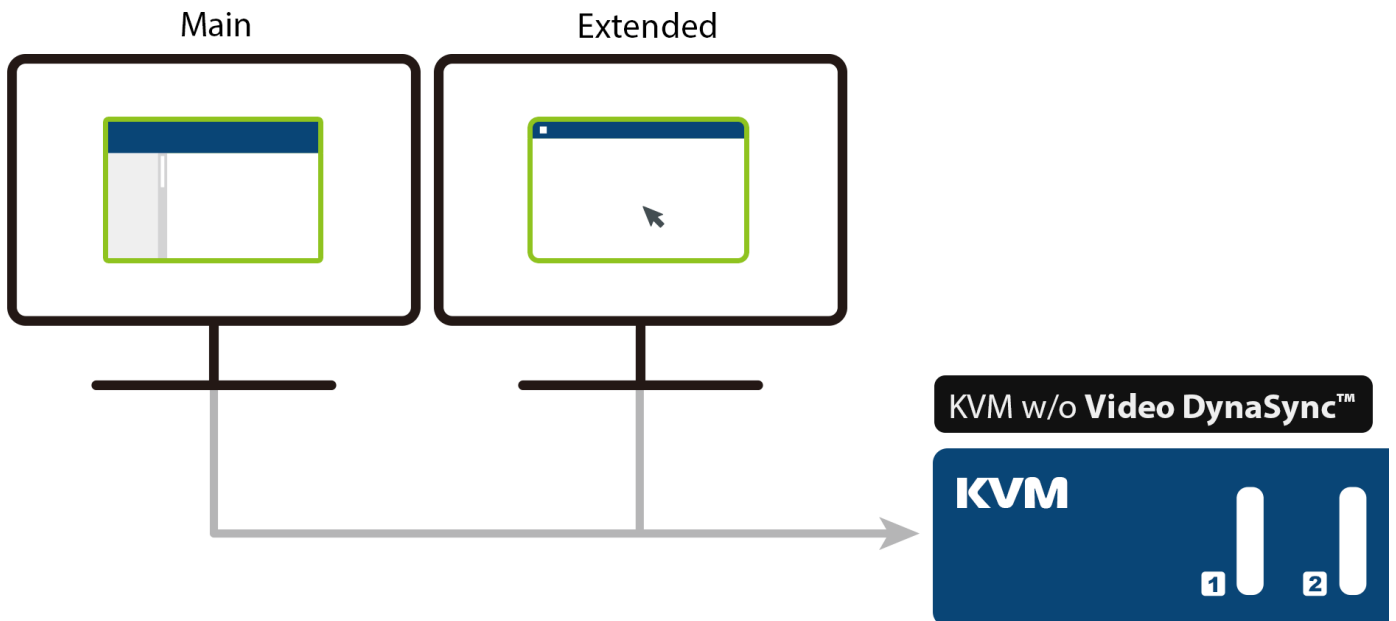
4-Port USB 3.0 4K HDMI Dual Display KVMP™ Switch



The ATEN CS1844 Dual Display [KVMP™](#) Switch presents a valuable solution for desktop workstation with instant and effortless access to four HDMI interface computers from a single USB keyboard, mouse and two HDMI monitors; to meet users' needs, the CS1844 is compliant with HDMI 2.0 standard and supports superior video quality up to 4K DCI (4096 x 2160 @ 60Hz), offering the most stunning and vivid visuals.

In addition, with patented ATEN technology – [Video DynaSync™](#), which optimizes display resolution, speeds up switching between systems, and ensures that windows opened on an extended desktop will not revert to their default configurations on the main display when switching between ports, providing a smooth and uninterrupted user experience. Considering immediate data sharing, a built-in USB 3.1 Gen 1 hub delivers data transfer rates up to 5 Gbps, allowing you to speed up operations and share USB peripherals efficiently.

Optimized Image Switching with Video DynaSync



For requirements of more displays to monitor, users can daisy-chain two CS1844 for up to four displays to multitask easily and process tremendous information. Besides, a remote port selector is available for quick and streamlined port selection apart from pushbuttons, hotkeys and mouse port switching.

As a feature-rich KVM switch, the CS1844 is especially suitable for users who need to perform multiple tasks smoothly at CGI work, graphic design, video post production, and CAD engineering.



Features

- One USB keyboard, mouse and two HDMI monitors control four HDMI computers and share two USB peripherals
- Supports Quad Display by connecting two Dual Display KVM switches
- Video DynaSync™ – an exclusive ATEN technology that optimizes display resolution, speeds up switching between systems, and ensures that windows opened on an extended desktop will not revert to their default configurations on the main display when switching between ports
- Supports superior video quality – 4K UHD (3840 x 2160 @ 60Hz) and 4K DCI (4096 x 2160 @ 60Hz)
- Computer selection via pushbuttons, hotkeys, mouse¹, remote port selector, and RS-232 commands²
- Built-in 2-port USB 3.1 Gen 1 hub with SuperSpeed 5 Gbps data transfer rates
- Supports console keyboard emulation / bypass feature
- Supports console mouse emulation / bypass feature
- Independent switching of KVM, USB peripheral, and stereo audio focus³
- Multilingual keyboard mapping – supports English, French, Japanese, and German keyboards
- HDMI compliant; HDCP compliant
- Supports HD audio³
- Power on detection
- Auto Scan Mode for monitoring all computers
- Firmware upgradable

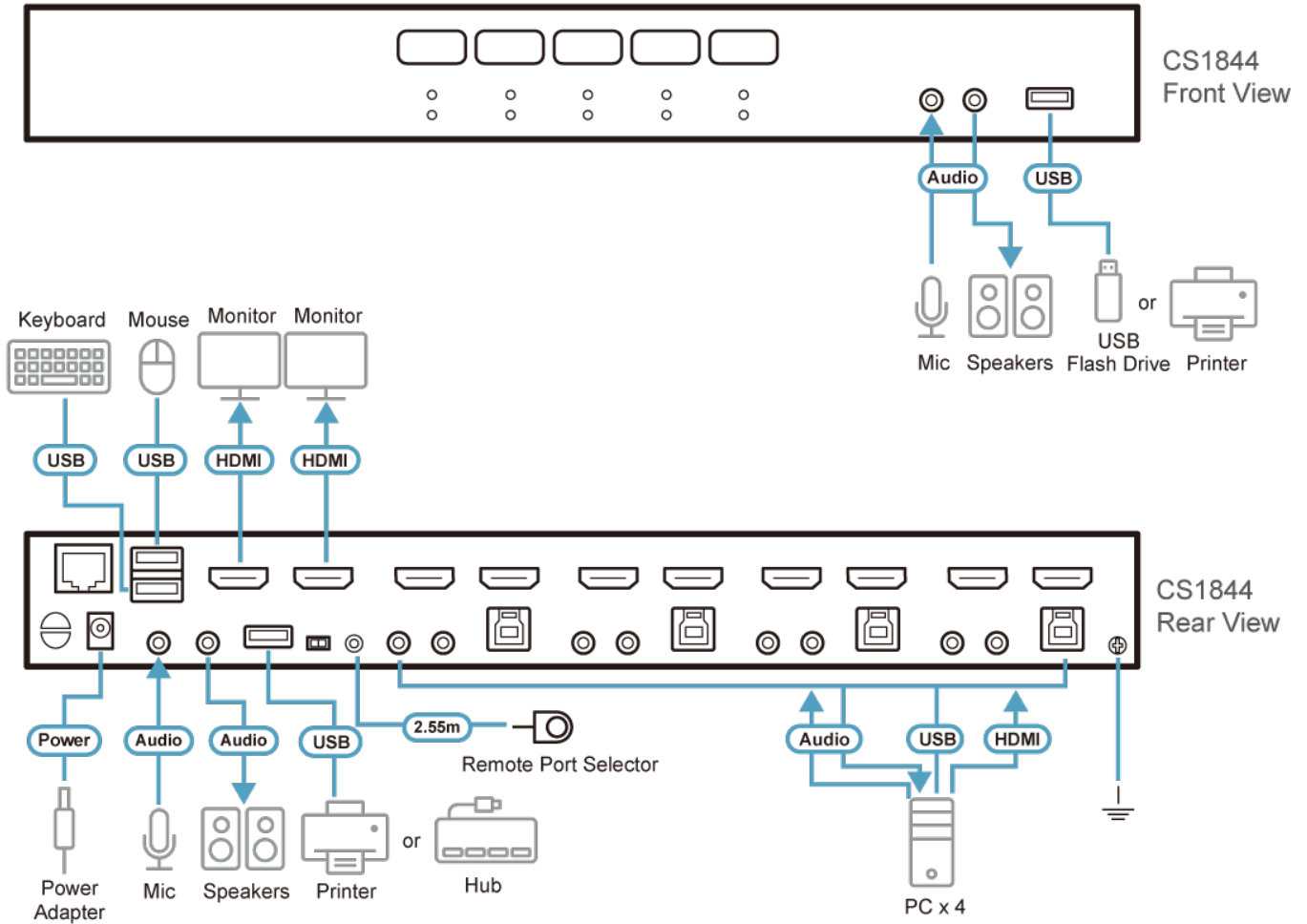
Note:

1. Mouse port switching is only supported under mouse emulation mode and by USB 3-key wheel mice.
2. Slide the DCC switch to the s position to allow the KVM switch to receive RS-232 commands via an RJ-45 to DB-9 cable. Please refer to the [CS1842/CS1844 user manual](#).
3. HD audio through HDMI channel cannot be switched independently.

Specifications

Computer Connections	4
Port Selection	Hotkey, Pushbutton, Mouse, RS-232 Commands, Remote Port Selector
Connectors	
Console Ports	2 x USB Type A Female 2 x HDMI Female (Black) 2 x 3.5mm Audio Jack Female (Green; 1 x front, 1 x rear) 2 x 3.5mm Audio Jack Female (Pink; 1 x front, 1 x rear)
KVM (Computer) Ports	4 x USB3.1 Gen1 Type B Female (Blue) 8 x HDMI Female (Black) 4 x 3.5mm Audio Jack Female (Green) 4 x 3.5mm Audio Jack Female (Pink)
Daisy Chain Ports	1 x RJ-45 Female
Remote Port Selector	1 x 2.5mm Audio Jack Female
Power	1 x DC Jack
USB Hub	2 x USB3.1 Gen1 Type A Female (Blue; 1 x front; 1 x rear)
Switches	
Selected	5 x Pushbutton
Station Selection	1 x Slide Switch
LEDs	
On Line /Selected	5 (Orange)
USB Link	5 (Green)
Audio	5 (Green)
Emulation	
Keyboard / Mouse	USB
Video	Up to 4096 x 2160 @ 60Hz, 2560 x 1440 @ 144Hz
Scan Interval	1-99 Seconds (Default: 5 sec.)
Power Consumption	DC12V:4.42W:63BTU/h Note: ● The measurement in Watts indicates the typical power consumption of the device with no external loading. ● The measurement in BTU/h indicates the power consumption of the device when it is fully loaded.
Environmental	
Operating Temperature	0-40°C
Storage Temperature	-20-60°C
Humidity	0-80% RH, Non-condensing
Physical Properties	
Housing	Metal
Weight	1.57 kg (3.46 lb)
Dimensions (L x W x H)	33.50 x 16.05 x 4.40 cm (13.19 x 6.32 x 1.73 in.)
Note	For some of rack mount products, please note that the standard physical dimensions of WxDxH are expressed using a LxWxH format.

Diagram



ATEN International Co., Ltd.

3F., No.125, Sec. 2, Datong Rd., Sijhih District., New Taipei City 221, Taiwan
 Phone: 886-2-8692-6789 Fax: 886-2-8692-6767
 www.aten.com E-mail: marketing@aten.com



© Copyright 2015 ATEN® International Co., Ltd.
 ATEN and the ATEN logo are trademarks of ATEN International Co., Ltd.
 All rights reserved. All other trademarks are the property of their respective owners.