

UC232A1

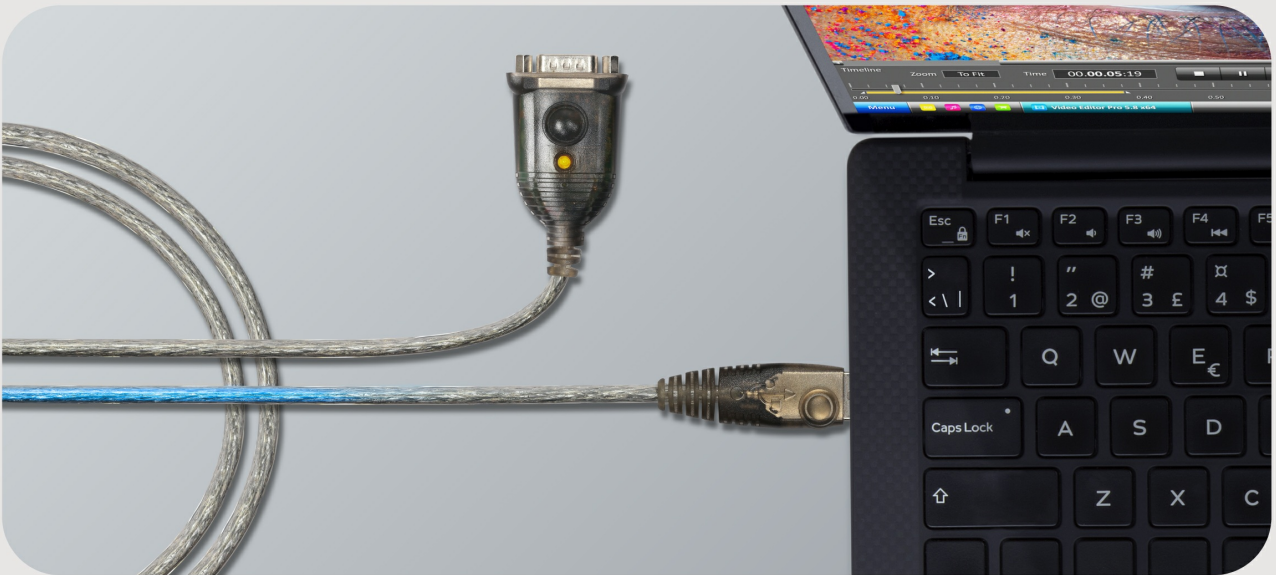
USB to RS-232 Adapter (1 m)



USB-A to Serial Adapter

USB-A to RS-232 Adapter 1m UC232A1

 USB-A	 RS-232	 Anti-EMI
--	---	---



Compatible with
Windows 10, 8, 7 / macOS / Linux

Multi-System Support

The UC232A1 is compatible with multiple operating systems, such as macOS, Linux, and Windows 7/8/10.

Stable Performance, Fast Transmission

The UC232A1 offers USB 2.0 connectivity and is equipped with a robust cable that ensures proven anti-EMI performance for reliable signal transmission at speeds of up to 921.6 Kbps baud rate.



USB-A



Laptop



PC

RS-232



Modem



Printer



Network Switch



Scanner



PLC Controller



POS



Broadly Compatible with Serial Devices

The UC232A1 allows your PC or laptop to control and communicate with various RS232 serial devices such as modem, network switch, PLC controller, printer, scanner, POS and so on.

Applications

- 1.
- 2.
- 3.
- 4.



Barcode Scanning



POS Terminal



PLC Programming



Medical / Scientific Instrument

[Previous](#) [Next](#)

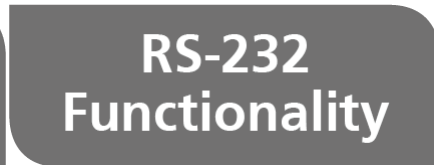
Product Comparison

The UC232 lineup is well-suited for a variety of applications including industrial automation, IT networking, and control systems.

*Notes: Models equipped with FTDI chip provide better signal transmission with legacy Windows OS.

Talk to Our Experts

If you prefer to have ATEN contact you, please complete the form and a representative will be in touch with you shortly



Features

The [UC232A](#) series USB-to-RS232 serial port converter is the ideal accessory for laptop and desktop computers that do not have a COM or DB9 serial port. Supporting both PC and Mac systems with baud rates up to 921.6 Kbps for rapid performance, it offers a convenient connectivity solution for industrial automation systems, scientific instruments, point of sale systems, and other specialized industrial and consumer applications.

The [UC232A](#) now supports mobile devices as a computing host (Android 3.2 and above). The [UC232A](#) SDK is available for download in the [Support and Downloads](#) section.

NOTICE

If your Linux kernel is between v2.6.15 ~ v5.4 and your device has a new chipset version, please update the Linux driver
Note: This driver works with 2021 or later chipset version device only.

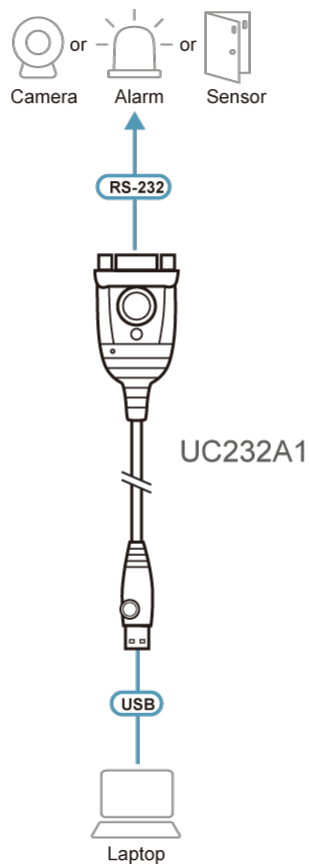
Use the link below to identify which chipset version your device is
<https://eservice.aten.com/eServiceCx/Common/FAQ/view.do?id=18695>

- Supports RS-232 serial interface
- Proven performance in anti-electromagnetic interference (anti-EMI) capability for stable transmission performance
- Full compliance with USB specifications
- Up to 921.6 Kbps data transfer rate
- OS Compatibility: Windows, Mac, and Linux
- Works with cellular phones, PDAs, digital cameras, modems, and ISDN terminal adapters
- A trustworthy connectivity solution recommended and adopted by leading enterprises worldwide

Specifications

Connectors	
USB Port	1 x USB Type A Male (White)
Serial	1 x DB-9 Male (Silver)
Data Rate	Up to 921.6 Kbps
Cable Length	1m
LEDs	Power (Orange)
Power Mode	Bus Powered
USB Specification	USB compliant
Environmental	
Operating Temperature	0-40°C
Storage Temperature	-20-60°C
Humidity	0-80% RH, Non-condensing
Physical Properties	
Housing	Plastic
Weight	0.06 kg (0.13 lb)
Dimensions (L x W x H)	6.59 x 3.40 x 1.60 cm (2.59 x 1.34 x 0.63 in.)
Power Consumption	DC5V:0.155W:1BTU/h Note: <ul style="list-style-type: none"> • The measurement in Watts indicates the typical power consumption of the device with no external loading. • The measurement in BTU/h indicates the power consumption of the device when it is fully loaded.
Note	For some of rack mount products, please note that the standard physical dimensions of WxDxH are expressed using a LxWxH format.

Diagram





Simply Better Connections

ATEN International Co., Ltd.

3F., No.125, Sec. 2, Datong Rd., Sijhih District., New Taipei City 221, Taiwan
Phone: 886-2-8692-6789 Fax: 886-2-8692-6767
www.aten.com E-mail: marketing@aten.com



© Copyright 2015 ATEN® International Co., Ltd.
ATEN and the ATEN logo are trademarks of ATEN International Co., Ltd.
All rights reserved. All other trademarks are the property of their
respective owners.