

CE820R

USB HDMI HDBaseT 2.0 KVM Extender (Remote Unit) (4K@100)



The ATEN [CE820](#) USB HDMI [HDBaseT™ 2.0 KVM Extender](#) integrates the latest [HDBaseT™ 2.0](#) technologies to deliver 4K HDMI video, stereo audio, USB, Ethernet*, and RS-232 signals up to 100 meters using single Cat6 / [2L-2910](#) Cat 6 cable. The [HDBaseT™ 2.0](#) guarantees the most reliable transmission on the market as well as enables the long-reach capability that extends full HD 1080P signals up to 150 meters. With an easy cable installation supporting various signals, the [CE820](#) is ideal for applications where convenient remote access is required – such as transportation control centers, medical facilities, industrial warehouses, and extended workstations.

* Note: The CE820R-AT supports Ethernet function and the CE820R-ATA does not.



Features

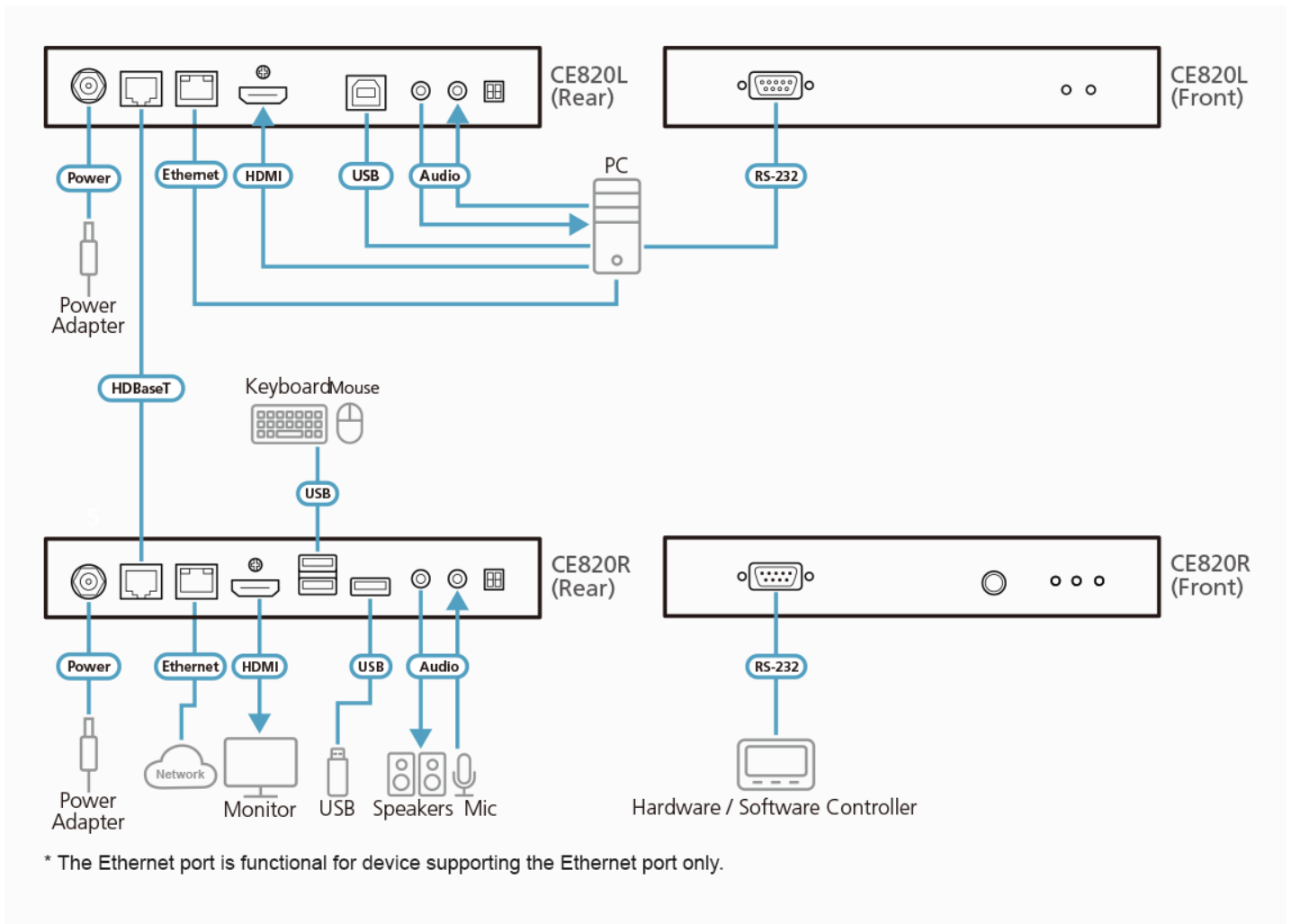
- Supports [HDBaseT™ 2.0](#) technology
 - Extends video, audio, USB, RS-232, and Ethernet ¹ signals via a single Cat6 / 6a cable / [2L-2910](#) Cat 6 cable
 - Enhanced bit error detection and correction to resist signal interference during high-quality video transmissions
 - Status detection and LED indication for [HDBaseT™](#) signal transmission on remote unit
- EDID Buffer for smooth power-up and the highest quality display
- HDMI (3D, Deep Color, 1080P, 4K); HDCP 2.2 Compatible
- Long distance with superior video quality
 - [HDBaseT™](#) Standard mode up to 4K @ 100 m (Cat 6 / 6a)
 - [HDBaseT™](#) Long-Reach mode up to 1080P @ 150 m
- Long Reach mode switch – switches between [HDBaseT™](#) Standard and Long Reach modes in a snap
- Supports individual 2-channel stereo audio and USB 2.0 full speed ports
- Supports PC wakeup function via single pushbutton
- Built-in 8KV / 15KV ESD protection (Contact voltage 8KV; Air voltage 15KV)

Note: 1. The [CE820](#)-AT supports Ethernet function, and the [CE820](#)-ATA does not.

Specifications

| | |
|------------------------|--|
| Connectors | |
| Console Ports | 1 x HDMI Female (Black) 3 x USB Type A Female 1 x Mini Stereo Jack Female (Green) 1 x Mini Stereo Jack Female (Pink) 1 x RJ-45 Female (Black) Note: The RJ-45 ports is functional for device supporting the Ethernet port |
| KVM Ports | N/A |
| RS-232 | 1 x DB-9 Male (Black) |
| Power | 1 x DC Jack with locking |
| Unit To Unit | 1 x RJ-45 Female (Black) |
| LEDs | |
| Power | 1 (Green) |
| Link | 1 (Orange) |
| Video Output | 1 (Orange) |
| Switches | |
| Long Reach Mode Switch | 1 x Slide Switch |
| Firmware Upgrade | 1 x Slide Switch |
| Pushbuttons | |
| Wakeup button | 1 x Push button |
| Video | Up to 4K@90m (Cat 5e) / 100m (Cat 6/6a/ATEN 2L-2910 Cat6) 1080P@100m (Cat 5e/6/6a) *4K supported: 4096 x 2160 / 3840 x 2160 @ 60Hz (4:2:0); 4096 x 2160 / 3840 x 2160 @ 30Hz (4:4:4) |
| Power Consumption | DC5V:5.37W:40BTU/h Note: <ul style="list-style-type: none"> ● The measurement in Watts indicates the typical power consumption of the device with no external loading. ● The measurement in BTU/h indicates the power consumption of the device when it is fully loaded. |
| Environmental | |
| Operating Temperature | 0–40°C |
| Storage Temperature | -20–60°C |
| Humidity | 0–80% RH, Non-condensing |
| Physical Properties | |
| Housing | Metal |
| Weight | 0.65 kg (1.43 lb) |
| Dimensions (L x W x H) | 18.20 x 12.19 x 2.87 cm (7.17 x 4.8 x 1.13 in.) |
| Note | The CE820R-AT supports Ethernet function and the CE820R-ATA does not. |
| Note | For some of rack mount products, please note that the standard physical dimensions of WxDxH are expressed using a LxWxH format. |

Diagram



ATEN International Co., Ltd.

3F, No. 125, Sec. 2, Datong Rd., Sijhih District., New Taipei City 221, Taiwan
 Phone: 886-2-8692-6789 Fax: 886-2-8692-6767
 www.aten.com E-mail: marketing@aten.com

© Copyright 2015 ATEN® International Co., Ltd.
 ATEN and the ATEN logo are trademarks of ATEN International Co., Ltd.
 All rights reserved. All other trademarks are the property of their respective owners.