

VS1824KIT

4-Port 4K HDMI Cat 6 Splitter with Receivers



The VS1824KIT is a kit that includes 1 splitter and 4 receivers, distributing an HDMI source at up to 4K @ 30 Hz (4:4:4) to 4 displays up to 40m away via a single Cat 6 cable. The system also supports lossless digital audio formats such as LPCM 7.1CH, Dolby TrueHD, Dolby Digital Plus & DTS-HD Master Audio. Only one power adapter for the splitter is needed as a result of the receivers being powered by the splitter thanks to the Power over Cable (PoC) functionality, which also helps avoid cluttered cable installation. An HDMI local output port is built on the splitter for content monitoring or cascading purposes. Moreover, the splitter contains a user-adjustable EDID switch, enabling users to configure the output video resolutions and audio capabilities for seamless integration across the system. The receiver's ultra lightweight, palm-sized enclosure ensures flexible installation including mounting and placement in tight spaces.

The kit comes with 1 IR blaster cable for the splitter and 4 IR receiver cables for receivers, allowing users to remotely control the source device from the receiver side. With plug-and-play operation, no software is required, enabling easy, immediate installation. The VS1824KIT delivers excellent AV transmission quality and installation flexibility within different installation scenarios, from meeting facilities, retail settings, showrooms, entertainment systems, and more.



Features

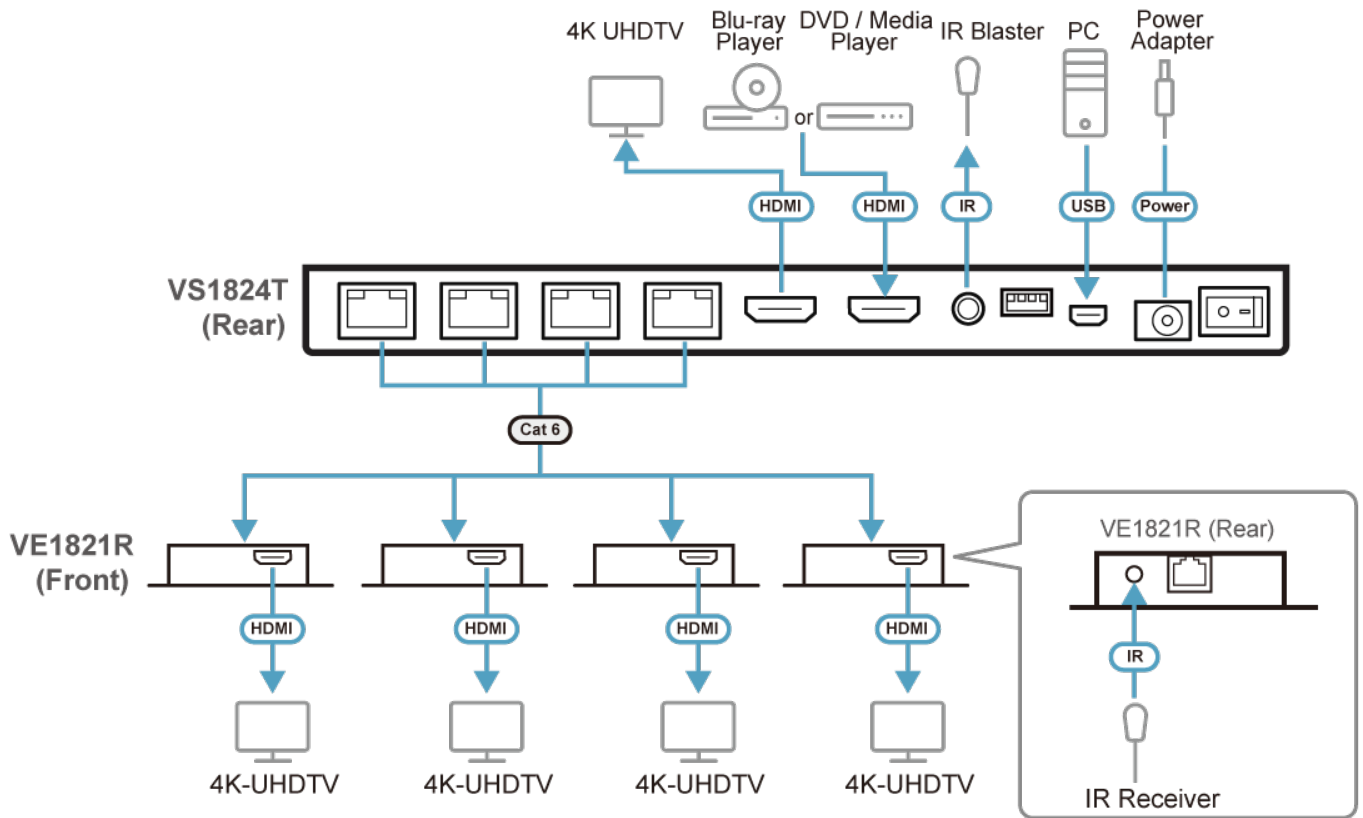
- A kit that includes 1 splitter and 4 receivers to distribute 1 HDMI source to 4 displays up to 40m away via a single Cat 6 cable
- Supports up to 4K @ 30 Hz (4:4:4) for crystal-clear video presentation
- Supports lossless digital audio formats such as LPCM 7.1CH, Dolby TrueHD, Dolby Digital Plus & DTS-HD Master Audio
- HDMI (3D, Deep Color, 4K); HDCP 1.4 compliant
- Power over Cable (PoC) functionality from splitter to receivers to avoid cluttered cable installation
- HDMI local output port on splitter for content monitoring or cascading purposes
- User-adjustable EDID switch on splitter for output video resolutions and audio capabilities configuration
- VE1821R's ultra lightweight, palm-sized case enables flexible installation including mounting and placement in tight spaces
- One-way IR channel for remote control of the source device from the receiver side
- Built-in 4KV/8KV ESD protection
- Plug-and-play – no additional software needed

Specification

Function	VE1821R	VS1824T
Video Input		
Interfaces	N/A	1 x HDMI Type A Female (Black)
Impedance	N/A	100 Ω
Max. Distance	N/A	3 m
Video Output		
Interfaces	1 x HDMI Type A Female (Black)	1 x HDMI Type A Female (Black)
Impedance	100 Ω	100 Ω
Max. Distance	3 m	3 m
Video		

Max. Data Rate	10.2Gbps (3.4Gbps per lane)	10.2Gbps (3.4Gbps per lane)
Max. Pixel Clock	340 MHz	340 MHz
Compliance	HDMI (3D, Deep Color, 4K) HDCP1.4 Compatible	HDMI (3D, Deep Color, 4K) HDCP1.4 Compatible
Max. Resolutions / Distance	Up to 4K@30m (Cat5e), 40m (Cat 6/ATEN 2L-2910); 1080p@35m (Cat5e), 50m (Cat 6/2L-2910) *4K supported: 4096 x 2160 / 3840 x 2160 @ 30Hz (4:4:4)	Up to 4K@30m (Cat5e), 40m (Cat 6/ATEN 2L-2910); 1080p@35m (Cat5e), 50m (Cat 6/2L-2910) *4K supported: 4096 x 2160 / 3840 x 2160 @ 30Hz (4:4:4)
Audio		
Input	N/A	1 x HDMI Type A Female (Black)
Output	1 x HDMI Type A Female (Black)	1 x HDMI Type A Female (Black)
Control		
IR Channel	1 x Mini Stereo Jack Female (Black); (NOTE1)	1 x Mini Stereo Jack Female (Black); (NOTE1)
Connectors		
Unit To Unit	1 x RJ-45 Female	4 x RJ-45 Female
Power	1 x RJ-45 Female (Power over Cable, power supply from VS1824T)	1 x DC Jack (Black) with locking
Maintenance	N/A	Micro USB for F/W upgrade
Switches		
Mode Switch	N/A	EDID Mode Selection
Power	N/A	Power ON/OFF
Power Consumption	11WBTU/h Note: ● The measurement in Watts indicates the typical power consumption of the device with no external loading. ● The measurement in BTU/h indicates the power consumption of the device when it is fully loaded.	11WBTU/h Note: ● The measurement in Watts indicates the typical power consumption of the device with no external loading. ● The measurement in BTU/h indicates the power consumption of the device when it is fully loaded.
Environmental		
Operating Temperature	0 - 40°C	0 - 40°C
Storage Temperature	-20 - 60°C	-20 - 60°C
Humidity	20 - 90% RH, Non-Condensing	20 - 90% RH, Non-Condensing
Physical Properties		
Housing	Metal	Metal
Weight	0.12 kg (0.28 lb)	0.44 kg (0.99 lb)
Dimensions (L x W x H) with bracket	7.95 x 6.80 x 1.65 cm (3.13 x 2.68 x 0.65 in.)	N/A (Housing comes without bracket)
Dimensions (L x W x H) without bracket	5.75 x 6.80 x 1.65 cm (2.26 x 2.68 x 0.65 in.)	21.00 x 8.20 x 1.80 cm (8.27 x 3.23 x 0.71 in.)
Note	NOTE 1: The IR channel of the receiver is a unidirectional bypass channel, transmitting data from receiver to transmitter. NOTE 2: The maximum power consumption assumes that all receivers in the package are installed.	NOTE 1: The IR channel of the receiver is a unidirectional bypass channel, transmitting data from receiver to transmitter. NOTE 2: The maximum power consumption assumes that all receivers in the package are installed.

Diagram



Note: Only connect VS1824T with VE1821R. Connecting VS1824T with other receiver models or third-party receivers may cause physical damage to the receiver.

ATEN International Co., Ltd.

3F., No.125, Sec. 2, Datong Rd., Sijhih District., New Taipei City 221, Taiwan
 Phone: 886-2-8692-6789 Fax: 886-2-8692-6767
 www.aten.com E-mail: marketing@aten.com



© Copyright 2015 ATEN® International Co., Ltd.
 ATEN and the ATEN logo are trademarks of ATEN International Co., Ltd.
 All rights reserved. All other trademarks are the property of their respective owners.