

## KE6900AiT

DVI-I Single Display KVM over IP Transmitter with Internet Access



The KE6900AiT are high performance IP-based transmitters that, when used with receivers (e.g. [KE6900AR](#)), provide console access from a separate location. The setup allows extended access of computer systems remotely via USB consoles (USB keyboard, USB mouse, DVI monitor) over intranet and internet, enabling users to place the computer system in secure and temperature controlled environments, which maybe isolated from users' workstation.

KE6900AiT support the new Control Center Video Session Recorder ([CCVSR](#)) software. The [CCVSR](#) records all operations made on servers accessed through KVM over IP switches. Every operation and change – boot-ups at BIOS level to system level, logging in and logging out, running software applications to configuring the operating system – are recorded and saved to a secure video file for security reference and troubleshooting purposes, etc..

The KE6900AiT DVI-I Single Display KVM over IP Extender supports one DVI display at each end and provide lossless and zero latency video transmissions up to 1920 x 1200 @ 60Hz.

The transmitters support connections via an RJ-45 port or a SFP slot. The transmitter can be connected to a receiver either directly to each other, or via a high-speed network over a copper-based or fiber-based LAN. Connecting via the SFP slot with 1Gbps SFP fiber module\* expansions on fiber optic network, you can extend transmission distances up to 10km. The KE6900AiT also features dual power supplies for redundancy to ensure dependable services.

As an IP-based matrix extender, the KE6900AiT can be used as a point-to-point / point-to-multipoint / multipoint-to-point extender, or integrated into a KVM over IP Matrix System (multipoint-to-multipoint) when combined with the [CCKM](#), providing more flexible applications in different working environments.

Implementing the [CCKM](#) with KE6900AiT, IT administrators can benefit from advanced features such as auto detection of all KE6900AiT devices on the same subnet for the sake of fast installation or configuration, username/password authentication and authorization, and the ability to define different types of connections that can be switched and shared. Security features also provide extra protection, supporting AES-128bits encryption for secured data transmissions, while RADIUS, LDAP, AD or remote user authentication provides an added layer of connection security. Moreover, with RS-232 support, and Auto MDIX, the KE6900AiT is the most cost-effective and convenient way to get a full digital extension from anywhere on the intranet.

**Note:**

The SFP module ([2A-136G](#) / [2A-137G](#)) is sold separately. Contact your ATEN dealer for product information.  
For the latest list of compatible network switches, please visit: [ATEN Support Center](#) for more information.

## Features

### • Advanced Features<sup>1</sup>

- [ATEN Matrix Link](#) – allows users instant link transmitters and receivers, and perform real-time port and profile switching on an iPad.
- Supports recording of remotely-accessed computer operations using [CCVSR](#)
- Boundless Switching – simply moves the mouse cursor across screen boundaries to switch between different receivers (Rx)
- Fast Switching – 0.3-second switching between transmitter-connected servers of any resolution
- "Push"and"Pull" – shares content instantly to / from a single Rx or video wall by just one click
- Video Walls – creates multiple video walls with up to 12 x 12 (144 displays max.) in each layout
- Flexible connections – allows multiple extender and matrix connections for multi-display installations and video wall applications
- On-screen Preview (Panel Array™ Mode) – allow users to view the video of up to 36 displays on one screen
- Advanced Scheduling – improves efficiency and saves costs by allowing connections to be set based on time and date
- Channel connections allow RX devices to connect to multiple TX devices – to stream video, audio, USB and serial sources independently
- Virtual Transmitter – independently streams video, audio, USB, and serial sources from different Tx
- Internal and external authentication support – supports LDAP, Active Directory, RADIUS and TACACS+ external authentications
- Advanced user authorization settings – administrators can set four access modes of permissions on TX devices for collaboration or to avoid interference among users
- Video grouping of up to 4 sets of KE series devices to support Multi-Display applications
- Configurable user and group permissions for access and control of KVM over IP extenders
- Rx access control – users at the Tx local console can enable / disable Rx access by simply pressing a control button <sup>2</sup>

#### Note:

1. These advanced functions are supported when the KE transmitters are paired with KE receivers and managed by [CCKM](#).
2. The KVM over IP Access Control Box ([2XRT-0015G](#)) is sold separately. Contact your ATEN dealer for product information.

### • Hardware

- The housing meets IEC 60945 standards for maritime control room use and has passed environmental tests
- Supports power / network failover – dual DC jacks for power redundancy and 1 RJ45 & 1 SFP fiber ports for network failover to ensure constant availability for mission-critical applications
- Supports 1Gbps SFP fiber module expansions up to 10 km <sup>1</sup>
- Advance processor provides lossless and zero latency video transmissions up to 1920 x 1200 @ 60Hz; 8-bit RGB (24-bit total color)
- Supports digital (DVI) or analog (VGA) video output <sup>2</sup>
- Audio Enabled – supports stereo speakers and microphone
- High speed USB Storage Transmission support
- Auto-MDIX – automatically detects cable type
- Built-in 8KV / 15KV ESD protection and 2KV surge protection
- Fanless design for silent operations that are energy efficient
- Rack Mountable – Mounting options:
  - [2X-021G](#) Dual Rack Mount Kit
  - [2X-031G](#) Single Rack Mount Kit
- Includes an industrial-grade power adapter – supports operating temperature of 0-50°C to ensure durability and adaptability under harsh environmental conditions

#### Note:

1. The SFP module ([2A-136G](#) / [2A-137G](#)) is sold separately. Contact your ATEN dealer for product information.
2. To convert a DVI to VGA signal, a DVI-I to VGA converter is required.

### • Management

- Integration with ATEN [CCVSR](#) Video Session Recording Software
- Centralized management software – KVM over IP Matrix Manager ([CCKM](#)) allow users to easily administrator all KE devices with an intuitive web-based GUI
- Dual console operation – controls the user's system from both the transmitter's and receiver's keyboard, monitor, and mouse consoles
- OSD (On Screen Display) on the Receiver configures both units
- EDID Expert™ – selects optimum EDID settings for smooth power-up and highest quality display
- Four selectable access modes for multiple simultaneous access (Exclusive / Occupy / Share / View only mode) – administrators can select access modes of permissions on Tx devices to boost collaboration or to avoid interference among users
- Command Line Interface – administrators can control all KVM over IP extenders via RS-232 or TCP / IP using a CLI or 3rd party application
- RS-232 serial ports – allow users to connect to a serial terminal for TextMenu, CLI, or serial devices such as touch screens and barcode scanners
- Supports Hotkey Commands
- Flashing LED and beeping feature help locate and identify devices
- Video compression level – allow users to increase / decrease the video quality to adjust for appropriate network bandwidth
- Compatible with all KE devices

### • Security

- Dedicated LAN port for KE direct connections – can be isolated from the corporate network
- Secure data transmission – AES 128-bit encryption to secure all data before transmitted over a network and decrypts the data on the receiver
- Supports industry standard Transport Layer Security (TLS) protocol

### • Virtual Media

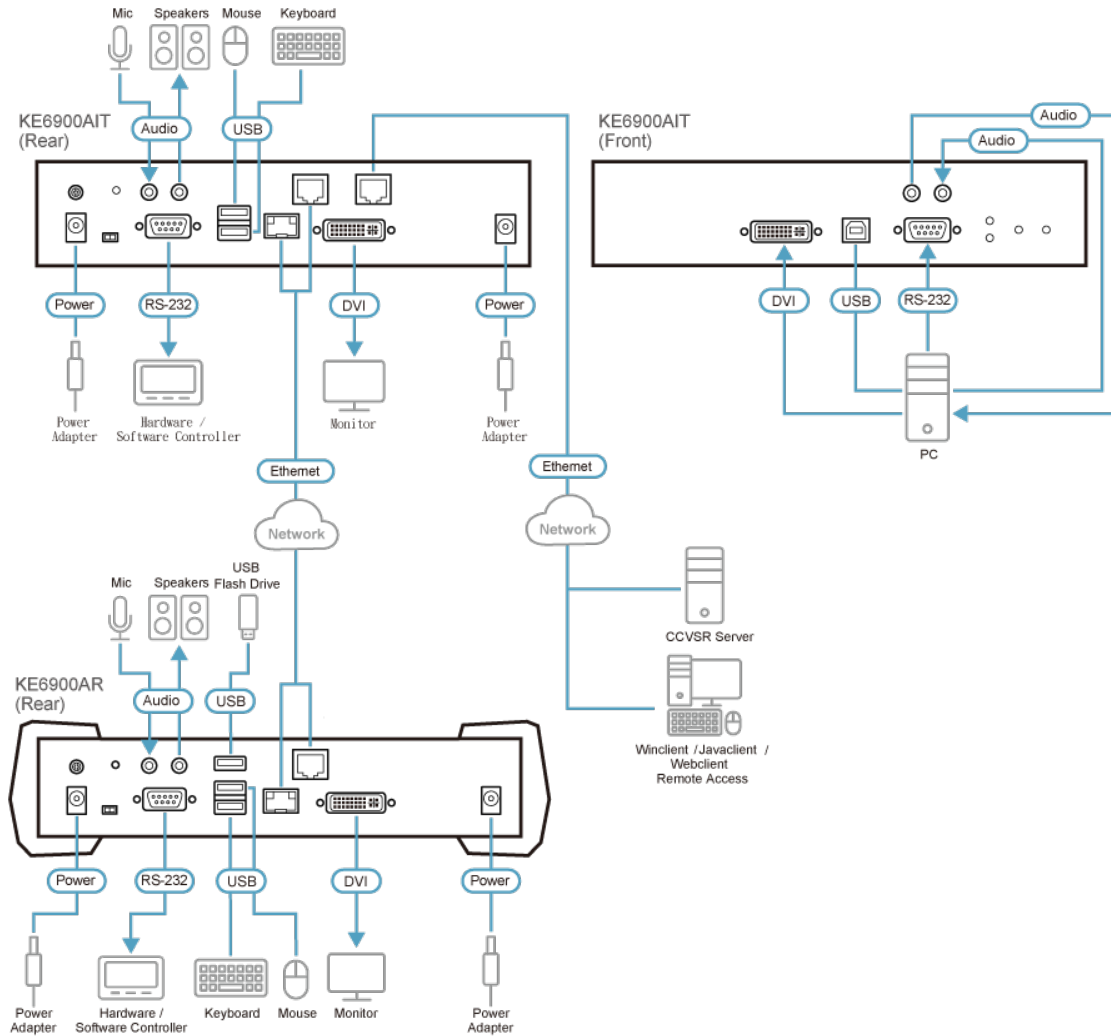
- USB Storage Transmission mode enhances data transmission performance, ideally for file transfers, OS patching, software installations and diagnostic testing
- Supports USB 2.0 DVD / CD drives, USB mass storage devices, PC hard drives and ISO images
- Supports Smart Card / CAC Reader

Specification

Connectors	
Console Ports	2 x USB Type A Female (White) 1 x DVI-I Female (White) 1 x Mini Stereo Jack (Green) 1 x Mini Stereo Jack (Pink) 1 x DB-9 Male (Black)
KVM Ports	1 x USB Type B Female (White) 1 x DVI-I Female (White) 1 x Mini Stereo Jack (Green) 1 x Mini Stereo Jack (Pink) 1 x DB-9 Female (Black)
Power	2 x DC Jack (Black)
LAN Ports	1 x RJ-45 (Black) 1 x SFP Slot
Internet Ports	1 x RJ-45 (Black)
USB Port	N/A
Switches	
OSD	N/A
Video	N/A
Graphics	N/A
Reset	1 x Semi-recessed Pushbutton
Mode Selection	1 x Slide Switch (Auto, RS-232 Config/Access Control, Local)
LEDs	
10/100/1000 Mbps	1 (10: Orange / 100: Orange & Green / 1000: Green)
Power	1 (Blue)
Local	1 (Green)
Remote	1 (Green)
Emulation	
Keyboard / Mouse	USB
Power Consumption	DC12V:12W:60BTU/h  Note: ● The measurement in Watts indicates the typical power consumption of the device with no external loading. ● The measurement in BTU/h indicates the power consumption of the device when it is fully loaded.
Video Resolution	Up to 1920 x 1200 @ 60Hz
Latency	To KE: < 5ms To PC: < 50ms
Environmental	
Operating Temperature	0–50°C
Storage Temperature	-20–60°C
Humidity	0–95% RH, Non-condensing
Physical Properties	
Housing	Metal
Weight	1.16 kg ( 2.56 lb )
Dimensions (L x W x H)	21.50 x 16.33 x 4.18 cm (8.46 x 6.43 x 1.65 in.)
Note	For some of rack mount products, please note that the standard physical dimensions of WxDxH are expressed using a LxWxH format.

Diagram

► Diagram



**ATEN International Co., Ltd.**

3F., No.125, Sec. 2, Datong Rd., Sijhih District., New Taipei City 221, Taiwan  
 Phone: 886-2-8692-6789 Fax: 886-2-8692-6767  
 www.aten.com E-mail: marketing@aten.com



© Copyright 2015 ATEN® International Co., Ltd.  
 ATEN and the ATEN logo are trademarks of ATEN International Co., Ltd.  
 All rights reserved. All other trademarks are the property of their respective owners.