

CM1164A

4-Port USB DVI Multi-View KVMP™ Switch



Real-Time Monitoring with Multi-View Agility



◀ **CM1164A**
4-Port USB DVI Multi-View
KVMP™ Switch

The CM1164A allows for connection of up to 4 DVI computers and one DVI display, facilitating real-time monitoring of multiple video sources on a single multi-view window, with up to FHD (1920 x 1200) visual quality. Multiple video sources can be selected, switched and displayed simultaneously with independent keyboard and mouse control. This innovative Multi-View KVMP™ Switch is also equipped with a 2-port USB hub permitting each computer to access connected peripherals while the USB peripheral switching can be independent of the KVM focus, making desktop multitasking truly effortless and productive.



Superior Video Quality



Audio Enabled



Boundless Switching



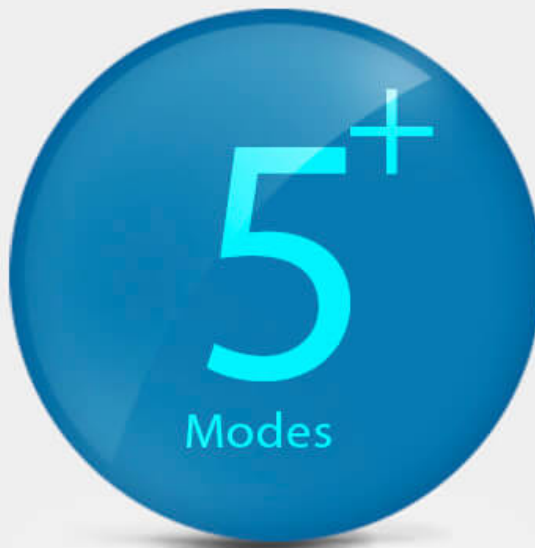
Video DynaSync™



USB Peripheral Sharing



Smart Switching Selection

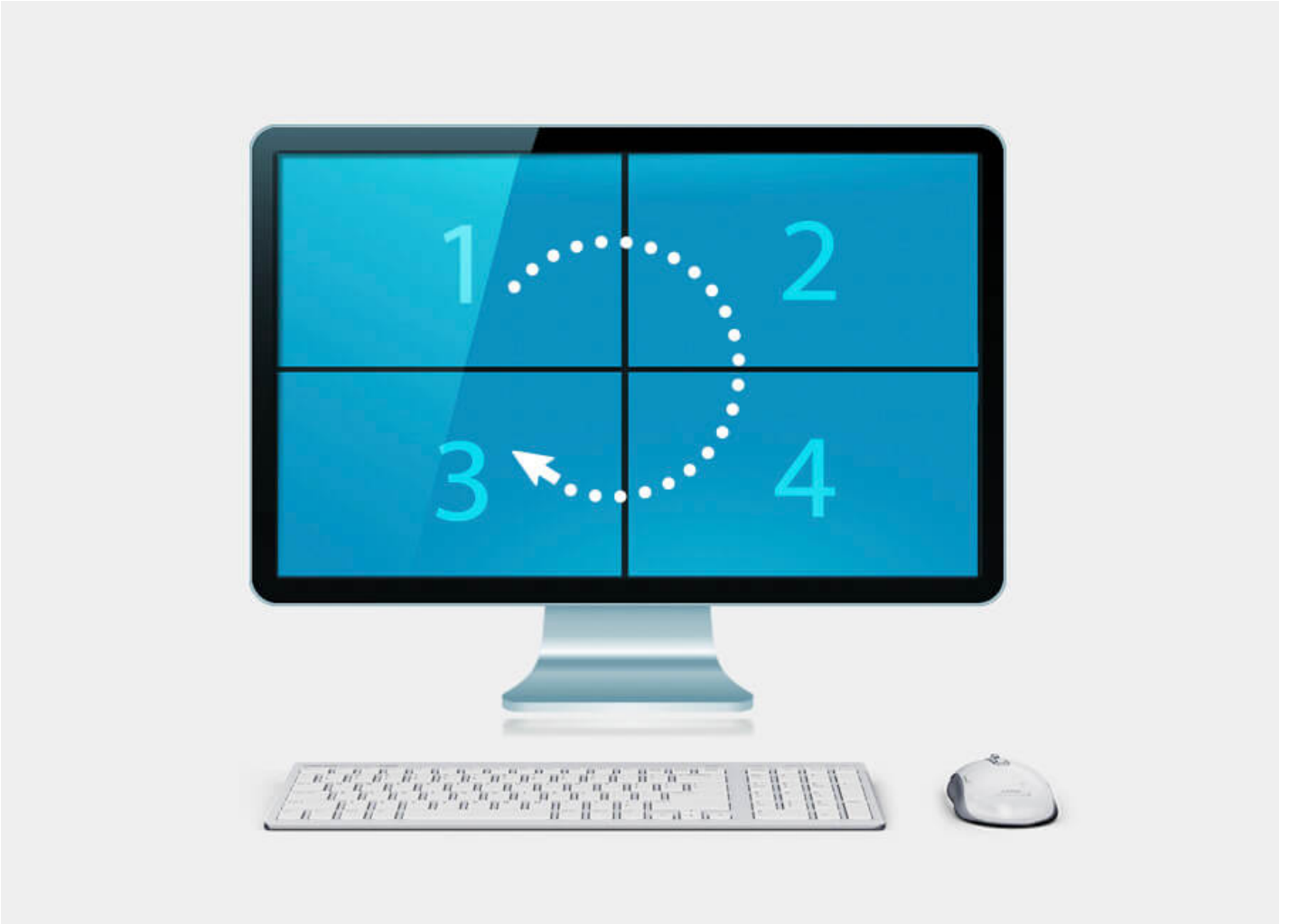


versatile Display modes

Even with just a single display, multi-sourced video data can be displayed in various display modes – Full Screen, Quad View, PiP (picture in picture), PbP (picture by picture), and PoP (picture on picture), improving operational efficiency without missing any important details.

Intuitive Boundless Switching

ATEN's Boundless Switching features instant access and control to target any video source by allowing the mouse cursor to move across window borders boundlessly and seamlessly.



Contact Us

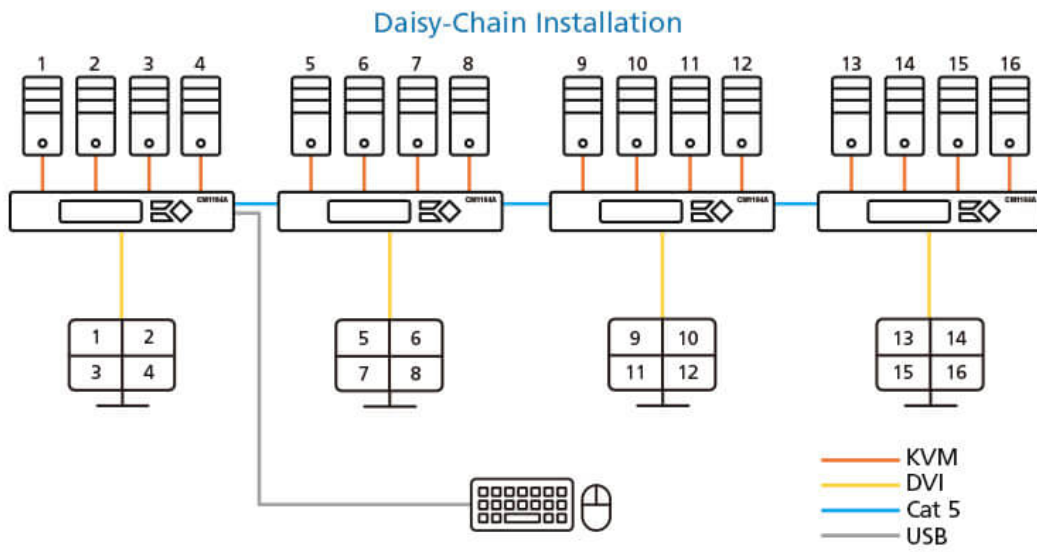
Get a quote for this product or get in touch with our sales experts

[Get Quote](#)

[Contact Sales](#)

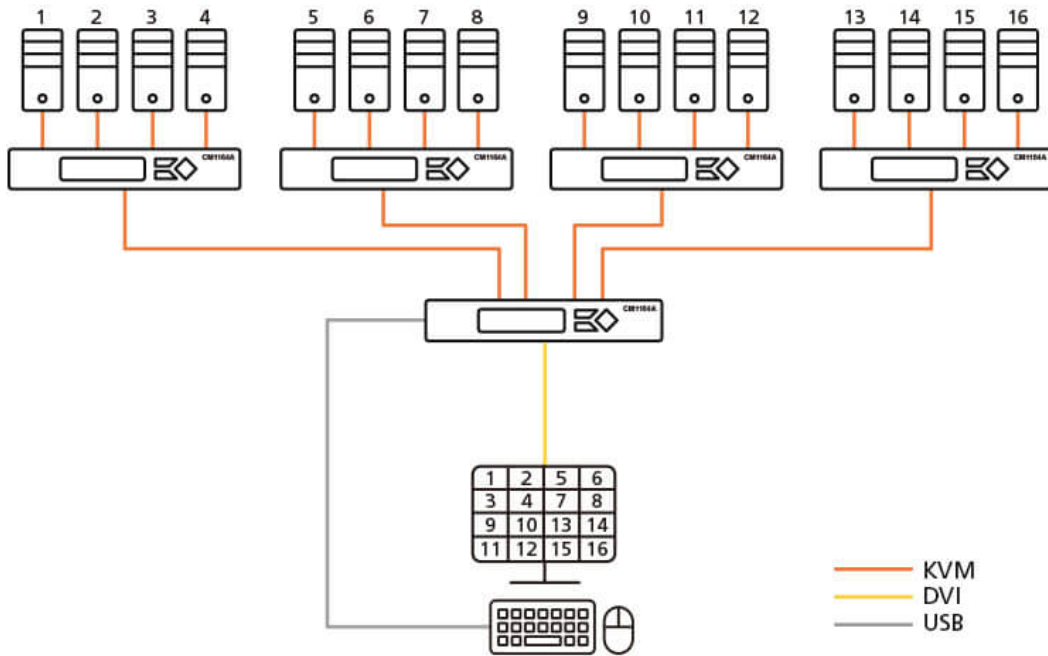
Daisy Chain & Cascade Support

With Daisy Chain Control (DCC) capability, the CM1164A can control 3 additional CM1164A units (up to 16 video sources) via a single console.



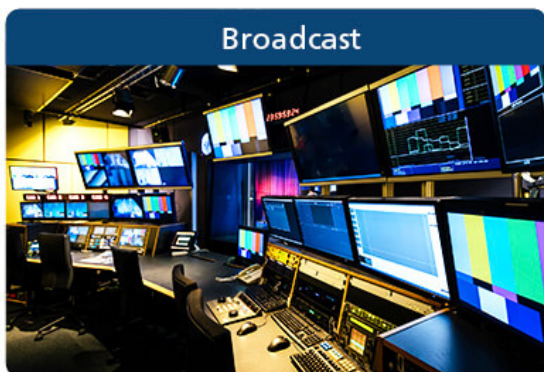
Furthermore, it can also be cascaded up to 2 levels by connecting additional 4 CM1164A units (up to 16 video sources) via a single console with video displayed in up to 4x4 multi-view mode.

Cascade Installation



Applications

The CM1164A Multi-View KVMP™ Switch is ideal for desktop operations in time critical scenarios that require real-time monitoring of multiple video sources and a prompt responsive approach, such as control-desk applications in broadcast or surveillance environments.



Talk to Our Experts

If you prefer to have ATEN contact you, please complete the form and a representative will be in touch with you shortly

First Name *

Last Name *

- Country *

Company *

Email *

Phone Number *

- Customer Type *

Job Title *



Features

ATEN CM1164A 4-Port USB DVI Multi-View KVMPTM Switch improves the operational efficiency of intensive monitoring applications. With limited screen, to allow users to manage the data more efficiently, up to 16 video sources can be selected, switched and displayed at the same time with independent keyboard, mouse control. The CM1164A provides users a real-time monitoring functionality by combining a 4-port DVI-D switch with a 2-port USB hub and providing the following display modes: Quad View, Picture in Picture (PiP), Picture by Picture (PbP), Picture on Picture (PoP), and Full Screen mode.

Featuring Boundless Switching, the CM1164A allows users to simply move the mouse cursor across windows to switch to other video sources. This makes it easier to instantly access and control the target computer.

Incorporating Daisy Chain Control (DCC) capability, users are allowed to control up to 3 additional CM1164A units via a single console. In addition, CM1164A can be cascaded up to 2 levels to reach the maximum of 16 video sources simultaneously displayed on a display.

Engineered to meet the ever-increasing demand for multi-view functionality, the CM1164A is specifically designed for where real-time monitoring is needed such as aviation industry, financial trading, and medical application.

- Multi-view console controls up to four video sources on one screen with display modes including Quad View, Picture in Picture (PiP), Picture by Picture (PbP), and Picture on Picture (PoP)
- System configuration via front panel, OSD, IR Remote – display mode and port selection
- Supports superior video quality – Up to 1920 x 1200; YCbCr 4:2:2
- Easily resize and / or reposition any PiP or PbP to suit users' viewing needs
- DCC (Daisy Chain Control) — Controls up to 3 additional CM1164A units from a single console
- Cascade up to 2 levels — Controls up to 16 computers (with up to 4 x 4 Multi-view mode)
- Computer selection via front panel pushbutton and hotkey, mouse, and the serial commands ¹
- [Boundless Switching – simply move the mouse cursor across windows to switch to other video sources even among the daisy chained installation](#)
- Boundless Switching Focus – a window frame to indicate which computer that it currently has the focus
- Supports Extended Desktops Boundless Switching ²
- [Video DynaSync™ – exclusive ATEN technology eliminates boot-up display problems and optimizes the resolution when switching among different sources](#)
- HDCP 1.4 compliant
- Supports RS-232 commands
- Drop down menu – edit display windows and other functions with the mouse and on-screen control panel
- Console mouse port emulation / bypass feature that supports most mouse drivers and multifunction mice
- Console keyboard emulation / bypass feature that support most multimedia keyboards
- Independent switching for USB peripheral port, audio function and KVM switch focus
- Auto Scan feature
- Power on detection
- Multilingual keyboard mapping – supports English, French, Japanese, and German keyboards
- Full bass response provides a rich experience for 2.1 channel audio
- Supports keyboard combinations via emulation (for Sun / Mac) ³

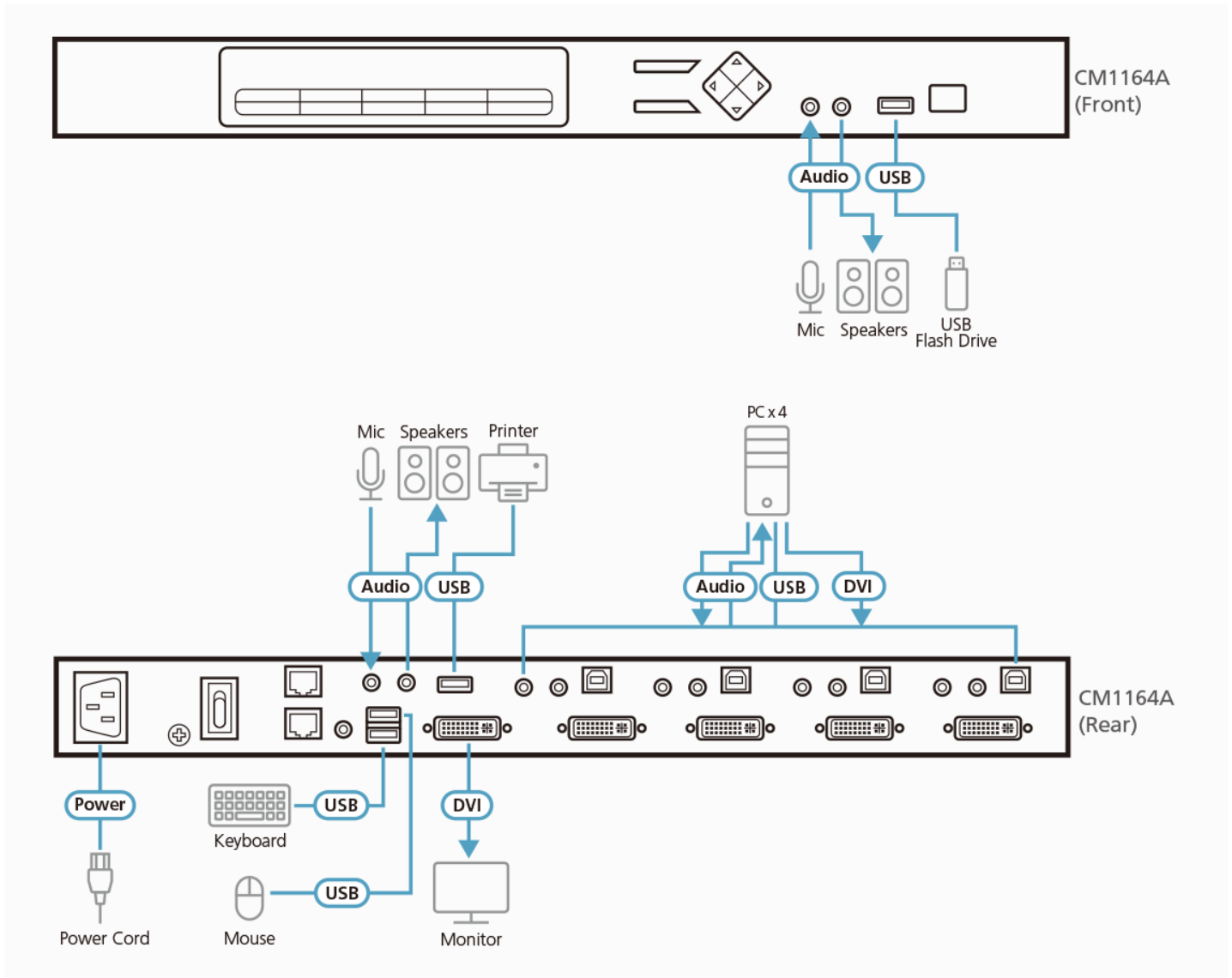
Note:

1. Mouse port switching is only workable under the mouse emulation mode and applicable to 3-key USB wheel mouse only
2. This function is only supported by Multi-View KVMP™ Switch using firmware version v2.3.222 or later
3. PC keyboard combinations emulate Mac keyboard. Mac keyboards only work with their computers

Specification

Computer Connections	4
Port Selection	Pushbuttons, Hotkeys, IR Remote Control, On-Screen Display (OSD), Mouse Wheel, Mouse Cursor, RS-232 Commands
Connectors	
Console Ports	2 x USB Type A Female 1 x Single Link DVI-D Female (White) 2 x 3.5mm Audio Jack Female (Green; 1 x front panel, 1 x rear panel) 2 x 3.5mm Audio Jack Female (Pink; 1 x front, 1 x rear) 2 x RJ-45
KVM Ports	4 x USB Type B Female 4 x Single Link DVI-D Female (White) 4 x 3.5mm Audio Jack Female (Green) 4 x 3.5mm Audio Jack Female (Pink)
Power	1 x IEC320 Jack
USB Hub	2 x USB 2.0 Type A Female
Switches	
Selected	11 x Pushbuttons
LEDs	
KVM	4 (Orange)
Audio	4 (Green)
USB	4 (Green)
Emulation	
Keyboard / Mouse	USB
Video	1920 x 1200 @ 60 Hz (DVI-D)
Scan Interval	5, 10, 15, 30, 60, 90 seconds (default: 5 seconds)
Power Consumption	AC110V/9.7W:71BTU/h AC220V/9.5W:70BTU/h Note: ● The measurement in Watts indicates the typical power consumption of the device with no external loading. ● The measurement in BTU/h indicates the power consumption of the device when it is fully loaded.
Environmental	
Operating Temperature	0-40°C
Storage Temperature	-10-60°C
Humidity	0-80% RH, Non-condensing
Physical Properties	
Housing	Metal
Weight	2.46 kg (5.42 lb)
Dimensions (L x W x H)	43.72 x 16.40 x 4.40 cm (17.21 x 6.46 x 1.73 in.)
Note	For some of rack mount products, please note that the standard physical dimensions of WxDxH are expressed using a LxWxH format.

Diagram



ATEN International Co., Ltd.

3F, No.125, Sec. 2, Datong Rd., Sijhih District., New Taipei City 221, Taiwan
 Phone: 886-2-8692-6789 Fax: 886-2-8692-6767
 www.aten.com E-mail: marketing@aten.com



© Copyright 2015 ATEN® International Co., Ltd.
 ATEN and the ATEN logo are trademarks of ATEN International Co., Ltd.
 All rights reserved. All other trademarks are the property of their respective owners.