

KH1508Ai

1-Local/Remote Shared Access 8-Port Multi-Interface Cat 5 KVM over IP Switch



The KH1508Ai Cat 5 High-Density KVM over IP Switch offers 8 computer port configurations in a 1U-high housing for convenient rack mounting. They allow local and remote operators to monitor and access the entire enterprise data center over the Internet using a web-based browser.

[ENQUIRE A TEST NOW!](#)

The KH1508Ai features RJ-45 connectors and Cat 5e/6 cable to link to the computers and supports multiplatform. This ensures that high quality signals can travel over long distance - up to 50m without the need for KVM extenders. Utilizing KVM adapter for the final linkup, the KH1508Ai permits any combination of PC, Mac, Sun computers, and serial devices to coexist on the installation.

In addition to TCP/IP connectivity, the KH1508Ai provides console ports for a locally attached USB or PS/2 console and a Laptop USB Console (LUC) – allowing access and control from the data center as well as over the net.

These switches have been designed with unique and powerful features for that enable administrators to manage their entire server room and data center devices easily and conveniently from just about anywhere in the world.

A special Message Board feature - which like an internet chat program - lets any number of remotely logged in users exchange information and communicate with each other or to cooperatively manage the installation. A Panel Array Mode™ allows monitoring of up to 8 servers at once. Other features that contribute to the switches' powerful capabilities include: Mouse DynaSync™, and Adapter ID.

With ATEN KVM over IP Switches, IT administrators can manage their server rooms and data centers from practically anywhere - minimizing travel costs and MTTR (Mean Time to Repair) – and ensuring the highest availability of data center services possible.

Note:

1. The video quality of KH1508Ai has been enhanced to Full HD. To distinguish between the non-FHD and FHD versions, please refer to below link: [FHD & Non-FHD Comparison Photo](#)
2. The KH1508Ai does not support virtual media even when paired with a virtual media-enabled KVM adapter.

Features

Hardware

- High port density – RJ-45 connectors for up to 8 ports in a 1U housing
- A dedicated USB port directly connects to a laptop for easy Console operation
- One bus for remote KVM over IP access
- Supports PS/2, USB, Sun Legacy (13W3) and serial (RS-232) connectivity
- Local console provides PS/2 and USB keyboard and mouse support
- Multiplatform support - Windows, Mac, Sun and Linux
- Superior Video Quality – supports input video resolutions up to 1920 x 1200 @ 60 Hz* up to 30 meters, 1600 x 1200 @ 60 Hz up to 40 meters, and 1280 x 1024 @ 75 Hz up to 50 meters
- Daisy-chain up to 15 additional units – control up to 128 computers from a single console

Note: With KVM Adapter KA71xx or KA75xx series

Management

- Up to 64 user accounts
- Up to 32 concurrent logins
- End session feature – administrators can terminate running sessions
- Event logging and Windows-based Log Server support
- Local Log Event
- Adapter ID – stores port information allowing administrators to relocate the servers to different ports, without having to reconfigure the adapters and switch
- Port Shared Mode allows multiple users to gain access to a server simultaneously
- Integration with ATEN CC2000 Management software
- Power Over the NET™ integration for remote power control
- Firmware upgradeable
- IPv6 capable

Easy-to-Use Interface

- Local console, browser, and AP GUIs offer a unified Multilanguage interface to minimize user training time and increase productivity
- Multiplatform client support (Windows, Mac OS X, Linux, Sun)
- Multi-browser support (IE, Firefox, Safari, Opera, Netscape)
- Browser-based UI in Web technology allows administrators to perform administrative tasks without the need for Java to be pre-installed
- Panel Array Mode™
- Keyboard broadcast – keyboard input can be duplicated on all the attached servers

Advanced Security

- Remote authentication support: RADIUS, LDAP, LDAPS, and MS Active Directory
- Supports TLS 1.2 data encryption and RSA 2048-bit certificates to secure users log in from browser
- Flexible encryption design allows users to choose any combination of DES, 3DES, AES, RC4, or Random for independent KB/Mouse and video data encryption
- IP/MAC Filter for enhanced security protection
- Configurable user and group permissions for server access and control

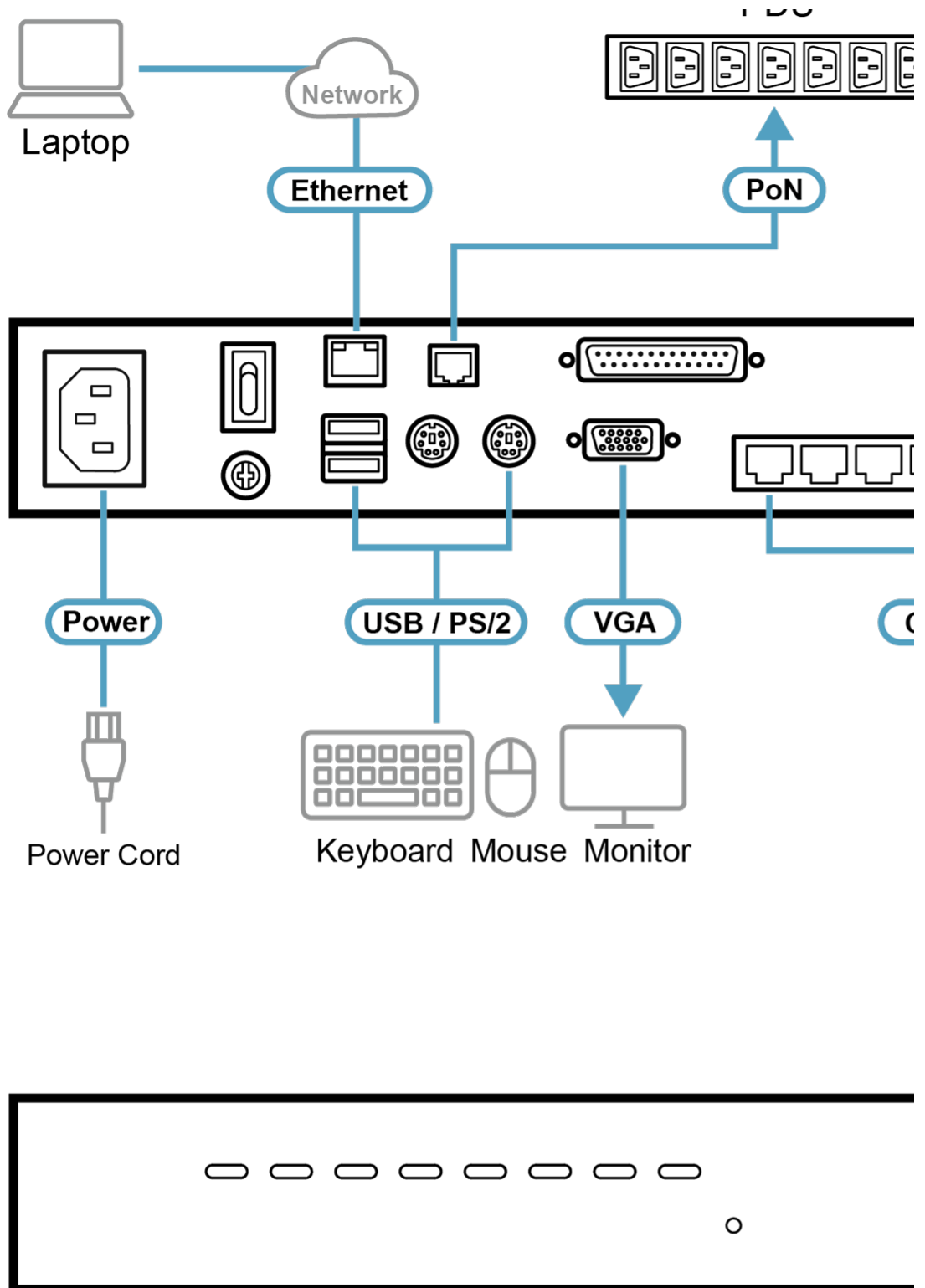
Virtual Remote Desktop

- Video quality and video tolerance can be adjusted to optimize data transfer speed; monochrome color depth setting, threshold and noise settings for compression of the data bandwidth in low bandwidth situations
- Full screen or scalable video display
- Message Board for communication among remote users
- Mouse DynaSync™ - automatically synchronizes the local and remote mouse movements
- On-screen keyboard with multilanguage support
- Exit Macros support
- BIOS-level access

Specification

Computer Connections	
Direct	8
Maximum	128 (via Daisy-chain)
Port Selection	OSD; Hotkey; Pushbutton
Connectors	
Console Ports	2 x USB Type-A Female (White) 1 x 6-pin Mini-DIN Female (Purple) 1 x 6-pin Mini-DIN Female (Green) 1 x HDB-15 Female (Blue)
KVM Ports	8 x RJ-45 Female
Daisy Chain Ports	1 x DB-25 Male
Power	1 x IEC 60320/C14
LAN Ports	1 x RJ-45 Female
Firmware Upgrade	1 x RJ-11 Female
PON	1 X RJ-45 Female
Laptop USB Console (LUC) Port	1 x USB Mini-B Female
Switches	
Reset	1 x Semi-recessed Pushbutton
Power	1 x Rocker
Port Selection	8 x Pushbutton
LEDs	
Online	8 (Green)
Selected	8 (Orange)
Power	1 (Blue)
Station ID	1 x 2-digit 7-segment (Orange)
Link	1 (Orange)
10/100/1000 Mbps	non-FHD:10/100 Mbps (Orange / Green) FHD:100/1000 Mbps (Orange / Green)
Emulation	
Keyboard / Mouse	PS/2; USB
Video	
Local	1600 x 1200 @ 60Hz (non-FHD version) 1920 x 1200 @ 60Hz (FHD version)
Remote	1600 x 1200 @ 60Hz (non-FHD version) 1920 x 1200 @ 60Hz (FHD version)
Scan Interval	1–255 secs
Maximum Input Power Rating	100–240 VAC; 50/60 Hz; 1A
Power Consumption	AC110V:8.7W:49BTU/h AC220V:8.7W:49BTU/h Note: ● The measurement in Watts indicates the typical power consumption of the device with no external loading. ● The measurement in BTU/h indicates the power consumption of the device when it is fully loaded.
Environmental	
Operating Temperature	0 - 40°C
Storage Temperature	-20 - 60°C
Humidity	0–80% RH; Non-condensing
Physical Properties	
Housing	Metal
Weight	2.68 kg (5.9 lb)
Dimensions (L x W x H)	43.72 x 16.36 x 4.40 cm (17.21 x 6.44 x 1.73 in.)
Note	For some of rack mount products, please note that the standard physical dimensions of WxDxH are expressed using a LxWxH format.

Diagram





ATEN International Co., Ltd.

3F., No.125, Sec. 2, Datong Rd., Sijhih District., New Taipei City 221, Taiwan
Phone: 886-2-8692-6789 Fax: 886-2-8692-6767
www.aten.com E-mail: marketing@aten.com



© Copyright 2015 ATEN® International Co., Ltd.
ATEN and the ATEN logo are trademarks of ATEN International Co., Ltd.
All rights reserved. All other trademarks are the property of their
respective owners.