

CE924

USB DisplayPort Dual View HDBase™ 2.0 KVM Extender (4K@100m for Single View)



The ATEN CE924 USB DisplayPort Dual View HDBase™ 2.0 KVM Extender integrates the latest HDBase™ 2.0 technologies to deliver 4K video, stereo audio, USB, and RS-232 signals. The HDBase™ 2.0 guarantees the most reliable transmission on the market as well as it provides long-reach capability that extends Full HD 1080P signals up to 150 meters. In addition, CE924 supports single 4K display or dual 1080p display for DisplayPort video output resolution up to 100m by using a single Cat6 / [2L-2910](#) Cat 6 cable.

With an easy cable installation supporting various signals, the CE924 is ideal for applications where convenient remote access is required – such as transportation control centers, medical facilities, industrial warehouses, and extended workstations.



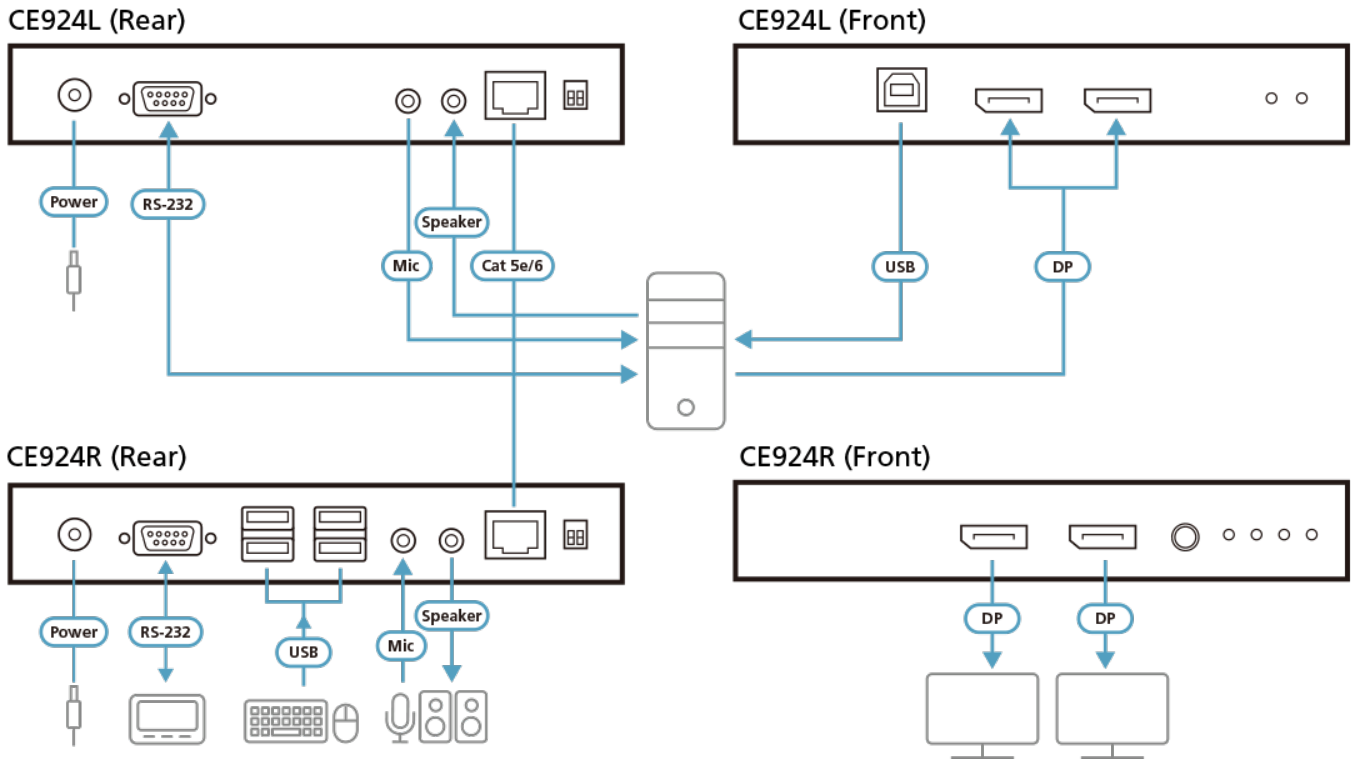
Features

- Allows dual view DisplayPort access to a computer and KVM control from a remote console
- Supports HDBase™ 2.0 technology
 - Extends video, audio, USB, and RS-232 signals via a single Cat6 / 6a / [2L-2910](#) Cat 6 cable
 - Enhanced bit error detection and correction to resist signal interference during high-quality video transmissions
 - Status detection and LED indication for HDBase™ signal transmission on the remote unit
- EDID Buffer for smooth power-up and the highest quality display
- Single category cable to transmit AV and control signal
 - HDBase™ Standard mode up to 4K @ 100 m (via Cat 6 / 6a / [2L-2910](#)); (single view only; dual-view resolution up to 1080p)
 - HDBase™ Long-Reach mode up to 1080P @ 150 m (single view only; dual-view resolution up to 720p)
- Supports 4 ports USB 2.0 full speed hub on the receiver – allowing to connect up to 4 various USB 2.0 peripheral
- HDCP Compatible
- Supports individual 2-channel stereo audio for high-quality audio applications
- Supports PC wakeup function via single pushbutton through RS-232 channel
- Built-in 8KV / 15KV ESD protection (Contact voltage 8KV; Air voltage 15KV)

Specification

Function	CE924L	CE924R
Connectors		
KVM Ports	2 x DisplayPort Female (Black) 1 x USB Type B Female (White) 1 x Mini Stereo Jack Female (Green) 1 x Mini Stereo Jack Female (Pink)	N/A
Console Ports	N/A	2 x DisplayPort Female (Black) 4 x USB Type A Female (White) 1 x Mini Stereo Jack Female (Green) 1 x Mini Stereo Jack Female (Pink)
RS-232	1 x DB-9 Female (Black)	1 x DB-9 Male (Black)
Power	1 x DC Jack with locking	1 x DC Jack with locking
Unit To Unit	1 x RJ-45 Female (Black)	1 x RJ-45 Female (Black)
LEDs		
Power	1 (Green)	1 (Green)
Link	1 (Orange)	1 (Orange)
Video Output	N/A	2 (Orange)
Switches		
Long Reach Mode Switch	1 x Slide Switch	1 x Slide Switch
Firmware Upgrade	1 x Slide Switch	1 x Slide Switch
Pushbuttons		
Wakeup button	N/A	1 x Push button
Video	Single view: Up to 4K@90m (Cat 5e) / 100m (Cat 6/6a/ATEN 2L-2910 Cat6) 1080P@100m (Cat 5e/6/6a/ATEN 2L-2910 Cat6) Dual-view: Up to 1080p@100m (Cat 6/6a/ATEN 2L-2910 Cat6) *4K supported: 4096 x 2160 / 3840 x 2160 @ 30Hz (4:4:4)	Single view: Up to 4K@90m (Cat 5e) / 100m (Cat 6/6a/ATEN 2L-2910 Cat6) 1080P@100m (Cat 5e/6/6a/ATEN 2L-2910 Cat6) Dual-view: Up to 1080p@100m (Cat 6/6a/ATEN 2L-2910 Cat6) *4K supported: 4096 x 2160 / 3840 x 2160 @ 30Hz (4:4:4)
Power Consumption	DC12V:7.03W:33BTU/h Note: ● The measurement in Watts indicates the typical power consumption of the device with no external loading. ● The measurement in BTU/h indicates the power consumption of the device when it is fully loaded.	DC12V:9.92W:69BTU/h Note: ● The measurement in Watts indicates the typical power consumption of the device with no external loading. ● The measurement in BTU/h indicates the power consumption of the device when it is fully loaded.
Environmental		
Operating Temperature	0–40°C	0–40°C
Storage Temperature	-20–60°C	-20–60°C
Humidity	0–80% RH, Non-condensing	0–80% RH, Non-condensing
Physical Properties		
Housing	Metal	Metal
Weight	0.82 kg (1.81 lb)	0.85 kg (1.87 lb)
Dimensions (L x W x H)	17.42 x 15.41 x 2.88 cm (6.86 x 6.07 x 1.13 in.)	17.42 x 15.57 x 2.88 cm (6.86 x 6.13 x 1.13 in.)
Note	DisplayPort support up to 4Kx2K @ 30Hz, not supports 4Kx2K @ 60Hz, 4:2:0; also not support MST mode.	DisplayPort support up to 4Kx2K @ 30Hz, not supports 4Kx2K @ 60Hz, 4:2:0; also not support MST mode.
Note	For some of rack mount products, please note that the standard physical dimensions of WxDxH are expressed using a LxWxH format.	

Diagram



ATEN International Co., Ltd.

3F, No. 125, Sec. 2, Datong Rd., Sijhih District., New Taipei City 221, Taiwan
 Phone: 886-2-8692-6789 Fax: 886-2-8692-6767
 www.aten.com E-mail: marketing@aten.com



© Copyright 2015 ATEN® International Co., Ltd.
 ATEN and the ATEN logo are trademarks of ATEN International Co., Ltd.
 All rights reserved. All other trademarks are the property of their respective owners.