

KL1108V

1-Local/1-Remote Access 8-Port Multi-Interface Cat 5 Dual Rail LCD KVM over IP Switch



[TEST NOW!](#)

ATEN's KL1108VN 8-port Cat 5 Dual Rail LCD KVM over IP Switch features an independently retractable, dual slide 19" LED-backlit LCD monitor and keyboard with built-in touchpad.

The KL1108VN switches allows local console and remote over IP access for operators to monitor and manage their entire data center locally at the switch, and over a network using a web-based browser. In addition, they offer out-of-band access with external modem support for BIOS-level troubleshooting when the network is down.

To help manage and control an entire data center, our KL1108VN KVM over IP switches supports blade servers and chassis with powerful new features such as Power Association which allows KVM ports to be associated with ATEN PDU power outlets for power management of servers from the KVM switches' user interface.

The KL1108VN KVM over IP switches now supports the new Control Center Video Session Recorder ([CCVSR](#)) and [CC2000](#) Centralized Management Software. The [CC2000](#) puts administrators in complete control of remote data centers and branch offices no matter where they are in the world – allowing them to remotely monitor and control all devices on a network, including blade server chassis, individual blades and virtual machines. The [CCVSR](#) records all operations on servers accessed through KVM over IP switches. Every operation and change from the BIOS level to logging in, from running software applications to configuring the operating system is recorded and saved to a secure video file as evidence, without exception.

In addition, the KL1108V is compatible with ATEN's KVM over IP Console Station, the KA82 series. The KA82 series is a hardware-based standalone console solution that can centrally manages multiple KL1108V. It is especially suitable for environments where a PC is not allowed. The KVM over IP Console Station features a 0U space-saving compact design and low power consumption for 24/7 operations.

The Virtual Media function lets you map to storage media on USB, hard disk and DVD/CD drives located on remote servers – allowing administrators to conduct file transfers, install applications, run O.S. updates, or perform diagnostics across a network with ease.

Enhanced capabilities of KVM over IP switches also include: a Message Board, Panel Array Mode™, Mouse DynaSync™, Adapter ID and Secure Serial Server Access. The secure access to serial-controlled devices includes network equipment, UNIX servers, Linux servers, Sun servers and many more serial consoles. It provides installation without needing expensive serial dongles.

With dual on-board NICs and out-of-band access with external modem support, the KVM over IP switches are built for reliability, to ensure 24/7 availability of remote access to all server room computers.

With ATEN KVM over IP switches, IT administrators can manage their server rooms and data centers from practically anywhere – minimizing travel costs and MTTR (Mean Time to Repair) – ensuring the highest availability of data center services possible.

Note: Optional rack mount kits are available. For more information, refer to Compatible Accessories below.

KL1108VN: 19" LCD

For possible keyboard languages for the EU regions, please follow [this link](#)

Features

- **Exclusive Features**
 - High-grade security – supports TLS 1.3 and an embedded FIPS 140-2 certified OpenSSL cryptographic module (Certificate #4282)
 - Advanced FPGA graphics processor with HD resolutions up to 1920 x 1200
 - 2x faster virtual media transmission speeds

- **Hardware**
 - Exclusive LED illumination light designed by ATEN to illuminate the keyboard and touchpad to allow visibility in lowlight conditions
 - Integrated KVM console with 19" LED-backlit LCD monitor in a dual rail housing
 - One bus for local and one bus for remote KVM over IP access
 - Space-saving RJ-45 ports for Cat 5e/6 cable connections
 - KVM adapter cables with automatic conversion allow flexible interface combinations (PS/2, USB, Sun and serial) to control all computer types
 - Extra Console Ports – manage computers from the built-in LCD screen or an external console setup (monitor, USB keyboard and mouse)

- Supports PS/2, USB, Sun Legacy (13W3) and serial (RS-232) connectivity
- Supports external USB mouse
- Dual rail housing is slightly less than 1U with top and bottom clearance for smooth operation in 1U of rack space
- Dual Rail Housing – allows the LCD monitor to slide independently of the keyboard and touchpad
- LCD module rotates up to 120 degrees for a more comfortable viewing angle
- Console lock enables the console drawer to remain securely locked away when not in use
- LCD power button saves energy and prolongs the life of the display
- High Port Density – RJ-45 connectors provide up to 16 ports in 1U housing
- [Two 10/100/1000 Mbps NICs for redundant LAN or dual IP operation](#)
- [Blade server support](#)
- Supports multiplatform server environments: Windows, Mac, Sun, Linux and VT100 based serial devices
- [High Video Resolutions – up to 1920 x 1200 @ 60 Hz with 24-bit color depth at the switch's external local console and on remote displays; up to 1280 x 1024 @ 75 Hz at the switch's built-in LCD screen](#)
- Monitor and control up to 16 computers on a single level or control up to 256 computers in a cascade*
- Optional rack mount kits available including easy installation options
Note: Cascade-compatible KVM switches include the following: [CS1308](#), [CS1316](#), [KH1508A](#) and [KH1516A](#).

• Management

- Up to 64 user accounts
- Up to 32 concurrent logins
- End Session Feature – administrators can terminate any remote session
- [Port Share Mode allows multiple users to gain access to a server simultaneously](#)
- Remote power control for attached ATEN PDU devices
- Integration with ATEN [CC2000](#) Management Software
- Integration with ATEN [CCVSR](#) Video Session Recording Software*
- Supports ATEN KVM over IP Console Station ([KA8270](#) / [KA8280](#) / [KA8278](#) / [KA8288](#))
- Event logging and Windows-based Log Server support
- Local Log Event
- Firmware upgradeable
- IPv6 capable
- [Critical system event notification via SMTP email; SNMP trap and Syslog support](#)
- [Customizable events notification](#)
- Out-of-Band Access – modem dial-in / dial-out / dial-back support
- [Adapter ID Function – stores port information, allowing administrators to relocate servers to different ports without having to re-configure adapters or switches](#)
Note: Supports recording computer operations accessed via remote sessions.

• Easy-to-Use Interface

- Easy computer selection via pushbuttons, OSD (On-Screen Display), and Browser-based GUI
- Local console, browser, and AP GUIs offer a unified multi-language interface to minimize user training time and increase productivity
- Multiplatform client support (Windows, Mac OS X, Linux, Sun)
- Multi-browser support: Internet Explorer, Chrome, Firefox, Safari, Opera, Netscape
- Browser-based UI in pure Web technology allows administrators to perform administrative tasks without the need for Java to be pre-installed
- Supports web-friendly KVM-over-IP access with HTML5 WebClient viewer – users can remotely access all the connected servers and PCs without Java or browser plug-in installation
- [ATEN Exclusive Panel Array™ Mode – monitor all ports in a grid display of all desktops at both the local and remote screen](#)
- [Keyboard/Mouse Broadcast – keyboard and mouse signals can be duplicated across all servers at once](#)
- Launch virtual remote desktop sessions to control multiple servers at the same time
- Full screen or scalable virtual remote desktop window
- [Video syncing allows the local console monitor's EDID information to be stored on the KVM Adapter Cables for display resolution optimization](#)

• Advanced Security

- [Remote authentication support: RADIUS, LDAP, LDAPS and Microsoft Active Directory](#)
- Supports TLS 1.3 encryption and RSA 2048-bit certificates to secure browser logins
- Flexible encryption design allows users to choose any combination of DES, 3DES, AES, RC4, or Random for independent KB/Mouse, video, and virtual media data encryption
- Configurable user and group permissions for server access and control
- Automated CSR creation utility and third-party CA certificate authentication
- IP/MAC Filter support for enhanced security protection

• Virtual Media

- Virtual media enables file application, OS patching, software installations and diagnostic testing
- Works with USB-enabled servers at the operating system and BIOS level
- [Supports DVD/CD drives, USB mass storage devices, hard drives and ISO images](#)
- Supports Smart Card/CAC Reader

• Virtual Remote Desktop

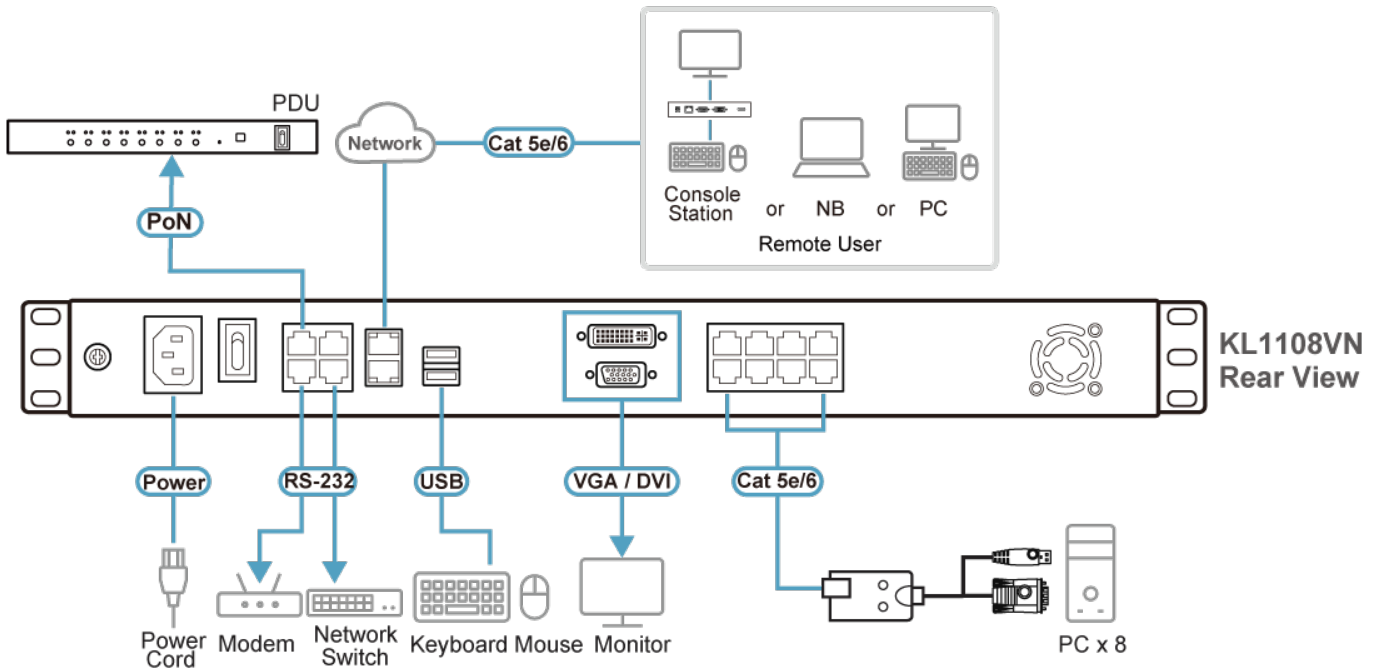
- Video quality can be adjusted to optimize data transfer speeds; color depth, threshold and noise settings reduce data transmission to lower bandwidth
- Full screen or scalable window for virtual remote desktop
- [Message board feature allows logged in users to communicate with each other](#)
- [Mouse DynaSync™ – automatically synchronizes the local and remote mouse movements](#)
- Exit Macro support
- [On-screen keyboard with multi-language support](#)
- BIOS-level access for troubleshooting
- Available keyboard layouts: English (US), English (UK), German, German (Swiss), French, Italian, Spanish, Nordic

[More information about "Easy Rack Mounting"...](#)

Function	KL1108VN
Console Connections	
Local	1
Remote	1
Computer Connections	
Direct	8
Maximum	128 (via Cascade)
Port Selection	OSD, Hotkeys, Pushbuttons
Connectors	
Console Ports	2 x USB Type-A Female (White) 1 x DVI-D Female (White) 1 x HDB-15 Female (Blue)
External Mouse Port	1 x USB Type-A Female
KVM Ports	8 x RJ-45 Female
Serial	2 x RJ-45 Female
PON	1 x RJ-45 Female
Modem	1 x RJ-45 Female
LAN Ports	2 x RJ-45 Female
Power	1 x IEC 60320/C14
Switches	
Port Selection	8 x Pushbutton
Reset	1 x Semi-recessed Pushbutton
Power	1 x Rocker
LCD Power	1 x Pushbutton
LCD Adjustment	4 x Pushbutton
LEDs	
Online	8 (Green)
Selected	8 (Orange)
10/100/1000 Mbps	2 (Orange / Orange & Green / Green)
Power	1 (Blue)
LCD Power	1 (Orange)
Lock	1 x Num Lock(Green) 1 x Caps Lock(Green) 1 x Scroll Lock(Green)
Video	
Remote	1920 x 1200@60Hz
Panel Spec	
LCD Module	19"
Resolution	1280 x 1024 @75Hz
Pixel Pitch	0.294 mm x 0.294 mm
Response time	5 ms
Viewing Angle	170° (H), 160° (V)
Contrast Ratio	1000:1

Support Color	16.7M colors
Luminance	250 cd/m ²
Emulation	
Keyboard / Mouse	PS/2; USB
Scan Interval	1-255 Sec.
Maximum Input Power Rating	100-240V AC; 50-60Hz; 1A
Power Consumption	AC110V:29W:142BTU/h AC220V:29.4W:144BTU/h Note: <ul style="list-style-type: none"> ● The measurement in Watts indicates the typical power consumption of the device with no external loading. ● The measurement in BTU/h indicates the power consumption of the device when it is fully loaded.
Environmental	
Operating Temperature	0 - 40°C
Storage Temperature	-20 - 60°C
Humidity	0-80% RH, Non-condensing
Physical Properties	
Housing	Metal
Weight	15.22 kg (33.52 lb)
Dimensions (L x W x H)	48.00 x 70.12 x 4.40 cm (18.9 x 27.61 x 1.73 in.)
Note	For some of rack mount products, please note that the standard physical dimensions of WxDxH are expressed using a LxWxH format.

Diagram



ATEN International Co., Ltd.

3F., No.125, Sec. 2, Datong Rd., Sijhih District., New Taipei City 221, Taiwan
 Phone: 886-2-8692-6789 Fax: 886-2-8692-6767
 www.aten.com E-mail: marketing@aten.com



© Copyright 2015 ATEN® International Co., Ltd.
 ATEN and the ATEN logo are trademarks of ATEN International Co., Ltd.
 All rights reserved. All other trademarks are the property of their respective owners.