

## VE805R

HDMI HDBaseT-Lite Receiver with Scaler (1080p@70m)  
(HDBaseT Class B)



The VE805R HDMI HDBaseT-Lite Receiver with Scaler can be combined with ATEN HDMI HDBaseT products to extend a HDMI display up to 60 m from the HDMI source device using a single Cat 5e/6 cable or up to 70 m via a Cat 6a cable.

With a built-in scaler, the VE805R supports scaling the display of different video resolutions. When combined with the ATEN [VM8514](#) HDBaseT Output Board, it supports video wall integration and Seamless Switch™ functions. In addition, the VE805R is equipped with RS-232 and IR signaling pass-through, which allows RS-232 and IR channels to be controlled either from the remote to local unit or from the local to remote unit, for bi-directional control of the source or display device.



### Features

- HDBaseT connectivity – extends the connection between the [VM8514](#) HDBaseT outputs and an HDMI display over a long distance via single Cat 5e/6/6a cable
- HDBaseT Anti-jamming – resists signal interference during high quality video transmissions using HDBaseT technology
- Bi-directional RS-232 channel<sup>1</sup> – allows you to connect to serial terminals or serial devices, such as touch screens and barcode scanners
- Scaler – features a scaling function to integrate a video wall seamlessly with various output formats
- Seamless Switch™ – close-to-zero second switching that provides continuous video streams, real-time switching and stable signal transmissions<sup>2</sup>
- Video Wall – features configurable Video Wall profiles available for custom screen layouts via simple point-n-click web GUI<sup>2</sup>
- Bi-directional IR channel – IR transmission is processed one direction at a time<sup>3</sup>
- Rack-mountable

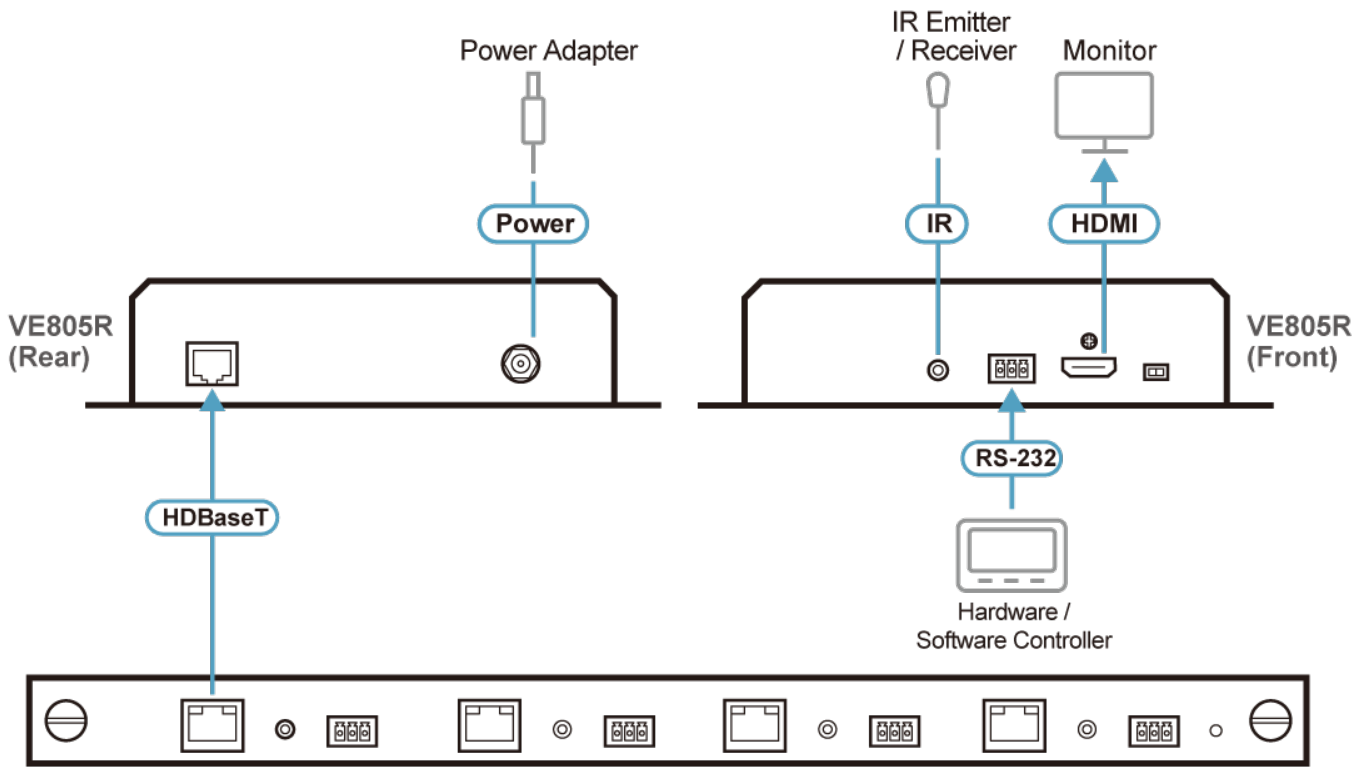
#### Note:

1. Bi-directional RS-232 channel only available when VE805R is used with the [VM8514](#).
2. The Seamless Switch™ and Video Wall functions are available when the VE805R is used with the [VM8514](#).
3. Supports full frequency IR signals from 30KHz to 60KHz; however the IR receiver cable included with the package only supports 30KHz to 56 KHz.

Specifications

Video Input	
Interfaces	1 x RJ-45 Female (Silver)
Impedance	100 Ω
Video Output	
Interfaces	1 x HDMI Type A Female (Black)
Impedance	100 Ω
Max. Distance	3 m
Video	
Max. Data Rate	6.75 Gbps (2.25 Gbps per lane)
Max. Pixel Clock	225 MHz
Compliance	HDMI (3D, Deep Color) HDCP 1.4 Compatible HDBaseT Compatible
Max. Resolutions / Distance	Up to 1080p @60m (Cat 5e/6); 70m (Cat 6a)
Control	
RS-232	1 x Captive Screw Connector, 3 Pole
IR	1 x Mini Stereo Jack Female (Black)
Connectors	
Power	1 x DC Jack (Silver)
Switches	
Firmware Upgrade	1 x Slide Switch
Power Consumption	DC5V:8.36W:39BTU/h  Note: <ul style="list-style-type: none"> <li>● The measurement in Watts indicates the typical power consumption of the device with no external loading.</li> <li>● The measurement in BTU/h indicates the power consumption of the device when it is fully loaded.</li> </ul>
Environmental	
Operating Temperature	0 - 50°C
Storage Temperature	-20 - 60°C
Humidity	0 - 80% RH, Non-Condensing
Physical Properties	
Housing	Metal
Weight	0.81 kg ( 1.78 lb )
Dimensions (L x W x H)	17.74 x 16.92 x 4.20 cm (6.98 x 6.66 x 1.65 in.)
Note	For some of rack mount products, please note that the standard physical dimensions of WxDxH are expressed using a LxWxH format.

Diagram



Output Board (e.g. VM8514) on Modular Matrix Switch (e.g. VM1600A)

**ATEN International Co., Ltd.**

3F, No. 125, Sec. 2, Datong Rd., Sijhih District., New Taipei City 221, Taiwan  
 Phone: 886-2-8692-6789 Fax: 886-2-8692-6767  
 www.aten.com E-mail: marketing@aten.com

© Copyright 2015 ATEN® International Co., Ltd.  
 ATEN and the ATEN logo are trademarks of ATEN International Co., Ltd.  
 All rights reserved. All other trademarks are the property of their respective owners.